



3.5-inch Mirror Drive SCSI MODEL AXRB-N Series

User's Manual

P/N A202985

Revision 1. 1 e

偶数ページで終了するための白紙です

History

Revision	Date	Change
1.0e	25 September,2002	Initial release.

Introduction

Thank you for selecting the **3.5-inch Mirror Drive SCSI Model AXRB-N Series**. This manual describes how to install, operate, and maintain your **Mirror Drive**, and will help familiarize you with the **Mirror Drive** and its features.

NOTICE

Please be sure to read the user's manual before using your **Mirror Drive**. This manual provides information on and describes appropriate handling procedures and configurations for all product functions. This information will allow the user to take full advantage of the **3.5-inch Mirror Drive SCSI Model AXRB-N Series**.

In the unlikely event you experience problems, the manual provides helpful information and instructions.

RETAINING PACKAGING MATERIALS

The original packaging materials protect the **Mirror Drive** from damage during transportation. After unpacking the **Mirror Drive**, please retain the packaging materials in case you need to ship the Drive for repairs. This product is sealed in an antistatic and moisture-proof bag before shipping. Open the bag only when about to begin setup.

RECORDING THE PRODUCT NAME, VERSION, AND SERIAL NUMBERS

Before installing the **Mirror Drive** on the host computer, please jot down the model name, version, and serial numbers. Section "2.1 Part Names" shows the label location of model name, version, and serial number.

**THIS DOCUMENT MAY NOT BE REPRODUCED OR COPIED IN WHOLE OR IN PART.
THE CONTENTS OF THIS DOCUMENT ARE SUBJECT TO CHANGE WITHOUT NOTICE.
WE HAVE MADE EVERY EFFORT TO ENSURE THE ACCURACY AND COMPLETENESS
OF THIS DOCUMENT. IF YOU FIND INACCURACIES OR OMISSIONS, PLEASE CONTACT
YOUR DISTRIBUTOR.**




Copyright(c) Storage Vision Co., Ltd All rights reserved.

To ensure safe use of this product:

This user's manual uses the following symbols to highlight important points related to safe use of this product. Please observe all safety information indicated in this way.

SAFETY SYMBOLS

To protect against personal injury and product damage, the following symbols are used throughout this manual to highlight safety information.

	Warning	Indicates a potentially hazardous situation that may result in death or serious injury to the user or severe damage to the product.
	Caution	Indicates a potentially hazardous situation that may result in serious injury to the user or damage to the product.
	Important	Indicates important information, failure to observe which may result in improper product function.

WARNING / CAUTION LABELS

Labels with black lettering against a yellow background affixed either to the exterior or interior of the product are **Warning** or **Caution** labels that provide important safety information. Observe all directions given on these labels.

In the case of appearing **Warning** or **Caution** labels in addition to this user's manual, be sure to follow the directions on it.

Warning

- If you detect any abnormal conditions, such as smoke or foul odors, immediately shut off power for the host computer.
- If any foreign materials (metals, water, liquids, etc.) enter the **Mirror Drive**, immediately shut off power for the host computer.
- Do not use the **Mirror Drive** in hot or damp locations. Doing so may result in fire, electrical shock, or damage.
- Do not disassemble or modify this product. ADTX cannot guarantee the performance or safety of any product that has been repaired by the customer or by an unauthorized third party. Doing so may result in fire, electrical shock, or damage.
- Before connecting or disconnecting the interface connector, shut off power for the host computer and any connected devices. To avoid placing excessive stress on the printed circuit board of the **Mirror Drive**, push or pull the connector only along the axis perpendicular to the board. Avoid bending the connectors. Avoid using undue force to connect or disconnect connectors or cables. Doing so may result in fire, electrical shock, or damage.

 **Caution**

- Do not use the **Mirror Drive** in locations subject to vibration or shock exceeding the specified values. Use of the **Mirror Drive** in such locations may result in malfunctions or disk failure.
- Do not use the **Mirror Drive** in locations or circumstances subject to condensation. Rapid temperature changes may cause condensation to form on the **Mirror Drive** itself. If you believe condensation has occurred, leave the **Mirror Drive** to acclimate to the new environment. Avoid using the **Mirror Drive** until it reaches the new ambient temperature.
- Do not place the **Mirror Drive** near electronic components with strong electromagnetic fields, such as televisions or loudspeakers.
Use of the **Mirror Drive** in such locations may result in malfunctions or disk failure.
- Turn power off before moving the unit with the **Mirror Drive**. This will prevent damage to the HDD and other internal components of the **Mirror Drive**.
- Do not turn power on immediately after turning power off, or turn power off immediately after turning power on. Leave at least 20 seconds between successive operations involving powering on or off. This will help prevent damage to or malfunction of the mounted HDD. The HDD motor spindle requires about 20 seconds to stop rotating and come to a full rest. In addition, if removing the correctly functioning drive unit for replacement, turn power off and wait at least 20 seconds.
- Do not remove the correctly functioning drive unit while power is on. The **Mirror Drive** will detect it failed if the drive unit is removed. Doing so may damage the disk heads and platter inside the HDD.
- Do not leave the **Mirror Drive** unpacked and unused for long periods of time (at most three months). Doing so may lead to malfunctions or disk failure.
- Avoid applying excessive pressure to the covers of the drive unit. Doing so may lead to malfunctions or disk failure.
- After unpacking or moving the **Mirror Drive**, gently press the front panel of the drive units to confirm that they are properly inserted.

Important

- Back up all important data stored on the **Mirror Drive** to a suitable storage medium, such as tape drive or MO drive. This product's mirroring technology prevents data loss even if one drive unit fails. If two drives units fail at the same time or if a non-redundant part fails, data loss may still occur. Additionally, accidental deletion of data or equipment damage may also result in data loss.
- Do not block the ventilation openings. Doing so may lead to hard disk drive failure.
- Wait at least 10 seconds after the drive access indicator has stopped flashing before initiating the shutdown procedure for your host computer. The **Mirror Drive** uses cache memory to store data frequently accessed from the HDD. Except in emergencies, you must follow the operating system's shutdown procedures. Failure to do so may result in loss of data stored in cache memory.
- Never remove or exchange the drive units, except to replace controller units or drive units, since the **Mirror Drive** controls drive units by using its serial number. Thus, removal or replacement may result in failure to boot up the host computer.
- When installing it in the host computer's bay, mount the **Mirror Drive** securely using the mounting screws provided (recommended torque 0.49 Nm).
- In the event of a drive unit failure, it may take up to 25 seconds to start up the **Mirror Drive**. The host computer may yet fail to recognize due to BIOS timeout settings.

Handling Static-Sensitive Devices

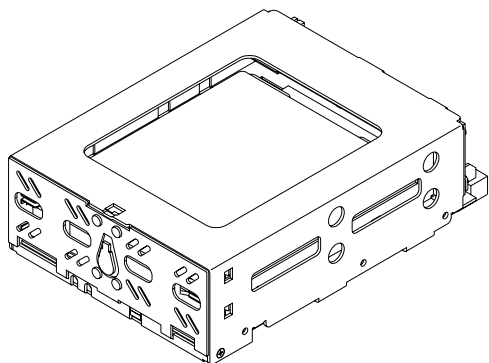
To prevent damage to components from static electricity, observe the following precautions when handling this product.

- Before handling the **Mirror Drive** or other static-sensitive devices, touch a metal object, such as the metal enclosure of the host computer, to discharge any static electricity from your body.
- Always handle components carefully. Never touch exposed circuitry.
- When replacing controller units or drive units, or when moving the **Mirror Drive**, place the antistatic bag in which this product was shipped on a flat, level surface. Work on the **Mirror Drive** in this area.

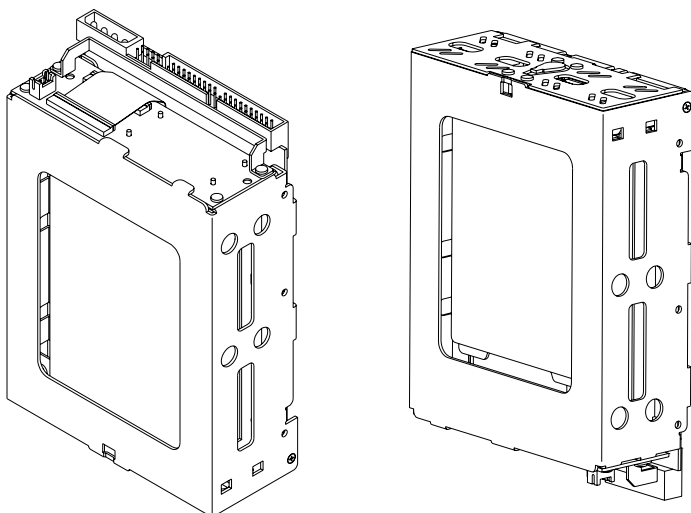
Mounting on Host Computer

Install the **Mirror Drive** oriented horizontally, as in <A> below. Mounting the **Mirror Drive** in an orientation other than the one specified may increase operating temperatures or place unexpected mechanical stress on the **Mirror Drive**.

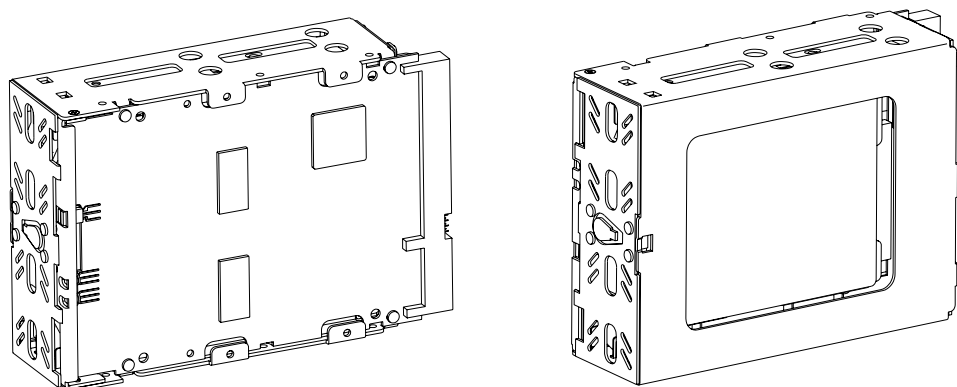
<A> Drive unit in horizontal position



 Drive unit in vertical position



<C> Drive unit on its side



[Contents]

History	i
introduction	ii
To ensure safe use of this product:	iii
warning	iv
Caution	v
Important	vi
Handling Static-Sensitive Devices	vii
Mounting on Host Computer	viii
Contents	ix
1. Introducing the 3.5-inch Mirror Drive	1
1.1 Features	1
1.2 Mirroring	2
1.3 Cache Buffer Function	2
2. External Dimensions	3
2.1 Part Names	3
2.2 Front View (With Bezel Open)	4
2.3 Front View (With Bezel Closed)	4
2.4 External Dimensions	5
2.4.1 Mirror Drive	5
2.4.2 External Dimensions with 5-inch Bay attached	6
3. Mounting in the Host Computer	7
3.1 DIP Switch Settings	7
3.2 Mounting in the Host Computer	7
3.3 Connecting Cables	8
3.4 Turning on Main Power	8
4. Settings	9
4.1 Configuration DIP Switch 1	9
4.1.1 SCSI ID	10
4.1.2 Single Ended Mode	11
4.1.3 Auto Spin Mode	11
4.1.4 Write Cache Mode	11
4.1.5 Buzzer Mode	11
4.2 Configuration DIP Switch 2	12
5. Status Display	13

- 5.1 Indicator 13
 - 5.1.1 Access Indicator 13
 - 5.1.2 Drive Status Indicator 13
 - 5.1.3 Buzzer 14
- 5.2 External Output Signal 15
 - 5.2.1 Status Output Signal 15
 - 5.2.2 External LED Output Signal 15
- 6. Removal and Replacement 16**
 - 6.1 Troubleshooting 16
 - 6.2 Replacing Drive Units 17
 - 6.2.1 Replacing a Drive Unit 17
 - 6.2.2 Replacing Both Drive Units 22
 - 6.3 Replacing the Controller Unit 25
 - 6.3.1 Replacing the Controller Unit (with both drives functioning normally) 26
 - 6.3.2 Replacing the Controller Unit (when one drive fails) 28
 - 6.4 Other problems 32
 - 6.5 Data Rebuilding 32
- Appendix A Specifications 33**
 - A.1 Product Specification 33
 - A.2 External Output Signal Specifications 34
 - A.2.1 Status Output Signal 34
 - A.2.2 External LED Output Signal 36
- Appendix B Accessories 38**
- Appendix C Factory default setting 39**
- Appendix D Replacement Parts 40**
- Information 41**

1. Introducing the 3.5-inch Mirror Drive

Incorporating two 2.5-inch disk drives, the ADTX **3.5-inch Mirror Drive** uses mirroring technology to safeguard data and to provide uninterrupted operations.

Since the host computer will recognize the **Mirror Drive** as a standard SCSI HDD, installing the **Mirror Drive** simply involves connecting it to a SCSI cable from the host computer.

1.1 Features


- In the event that one of the drive units fails, the **Mirror Drive** will continue to function, maintaining data integrity. When the failed disk is replaced with a new replacement disk, data rebuilding will begin automatically.
- The **Mirror Drive** is provided with large cache memory capacity for high performance.
- Based on the industry standard SCSI-3 interface, the **Mirror Drive** can be used like any other standard SCSI HDD. This product requires no unique device drivers and is compatible with most operating systems. Moreover, it will be easily daisy-chained to a series of existing SCSI HDDs or devices.
- Mirroring technology implemented via hardware reduces system overhead.

1.2 Mirroring

Mirroring technology involves writing data to two drive units simultaneously. If one drive unit fails, data is written to and read from the other drive unit.

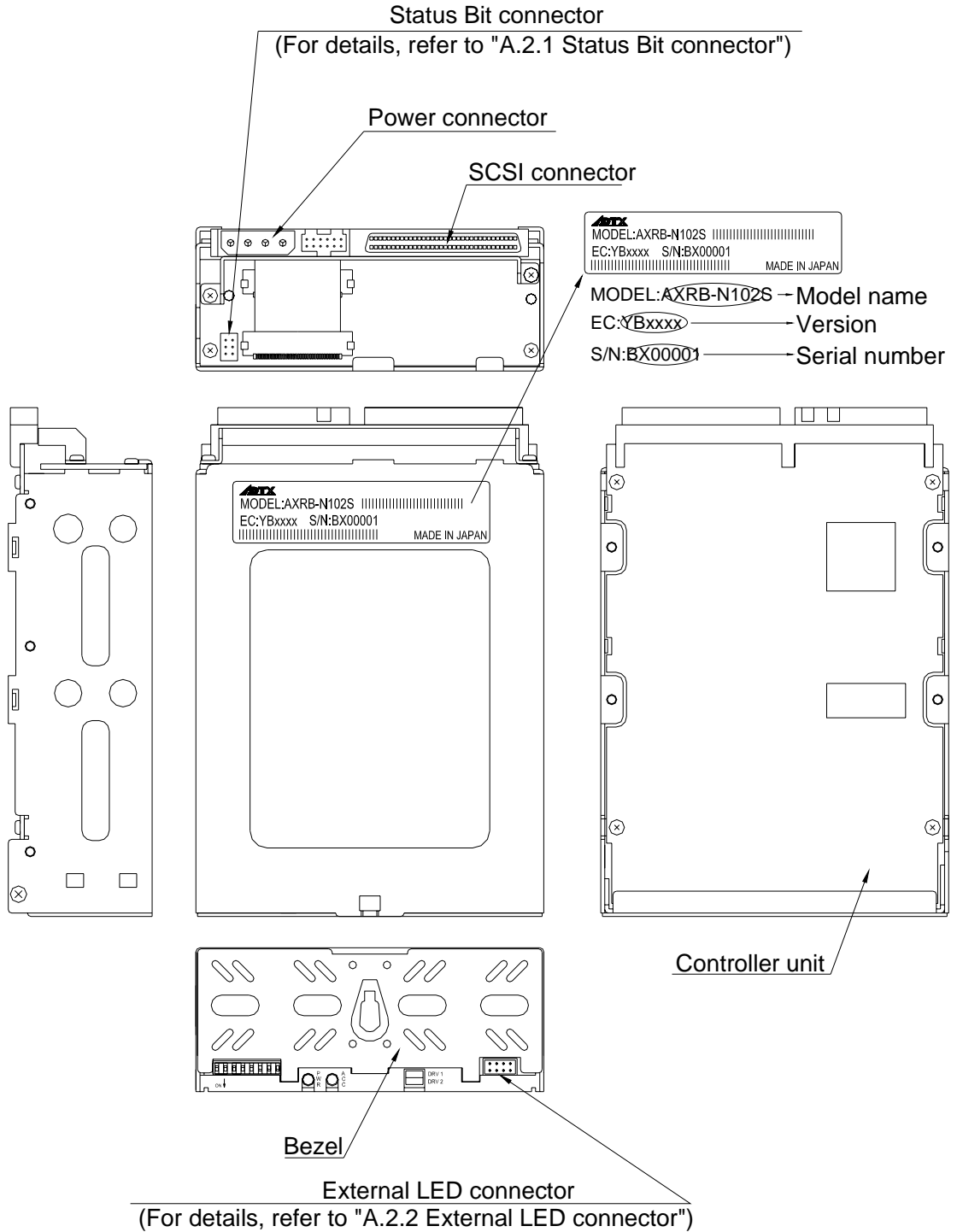
1.3 Cache Buffer Function

The **Mirror Drive** is equipped with large cache memory capacity. With write cache mode enabled, the **Mirror Drive** will signal completion of command processing to the host computer when data is written to cache memory. The performance will be improved by writing accumulated data to the HDD while the host computer does not access to the **Mirror Drive**. Write cache mode is enabled via Switch 1. The default setting at shipment is ON (enabled).

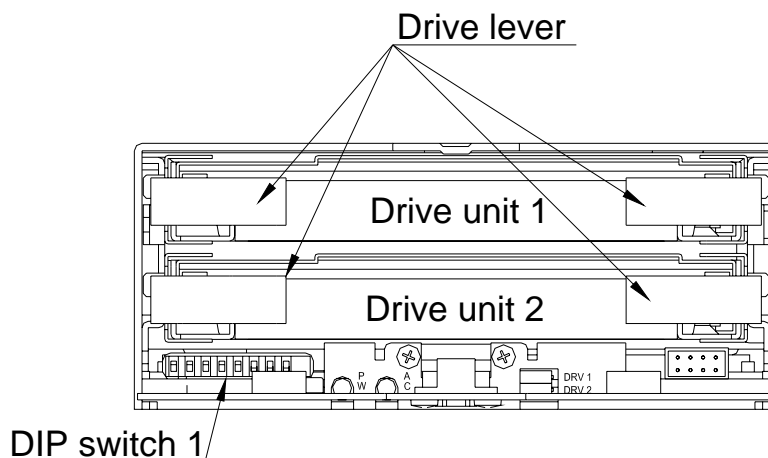
	Important	Always observe the shutdown procedure specified for the host computer operating system. In emergencies, wait at least 10 seconds to be sure both the drive access indicator and the drive status indicator have stopped flashing before shutting off power. Turning off power while the access indicator or the drive status indicator is on may result in loss of data still residing in cache memory.
---	------------------	---

2. External Dimensions

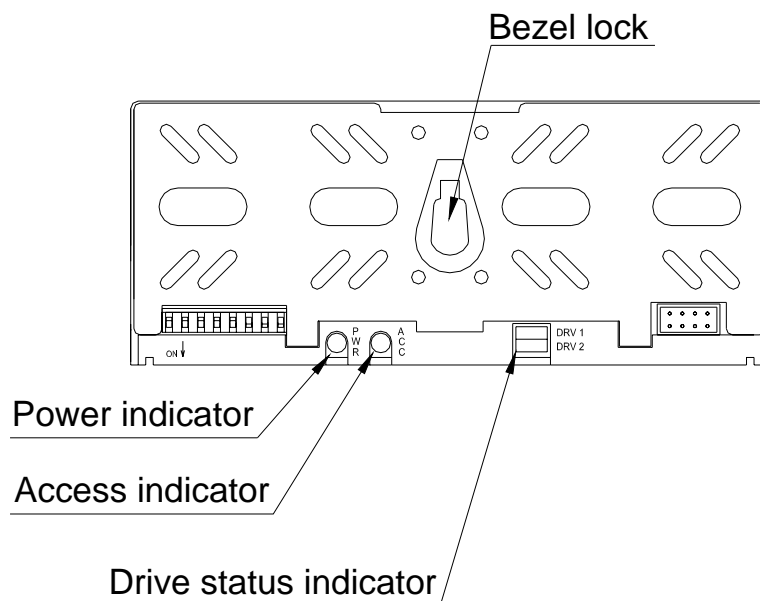
2.1 Part Names



2.2 Front View (With Bezel Open)

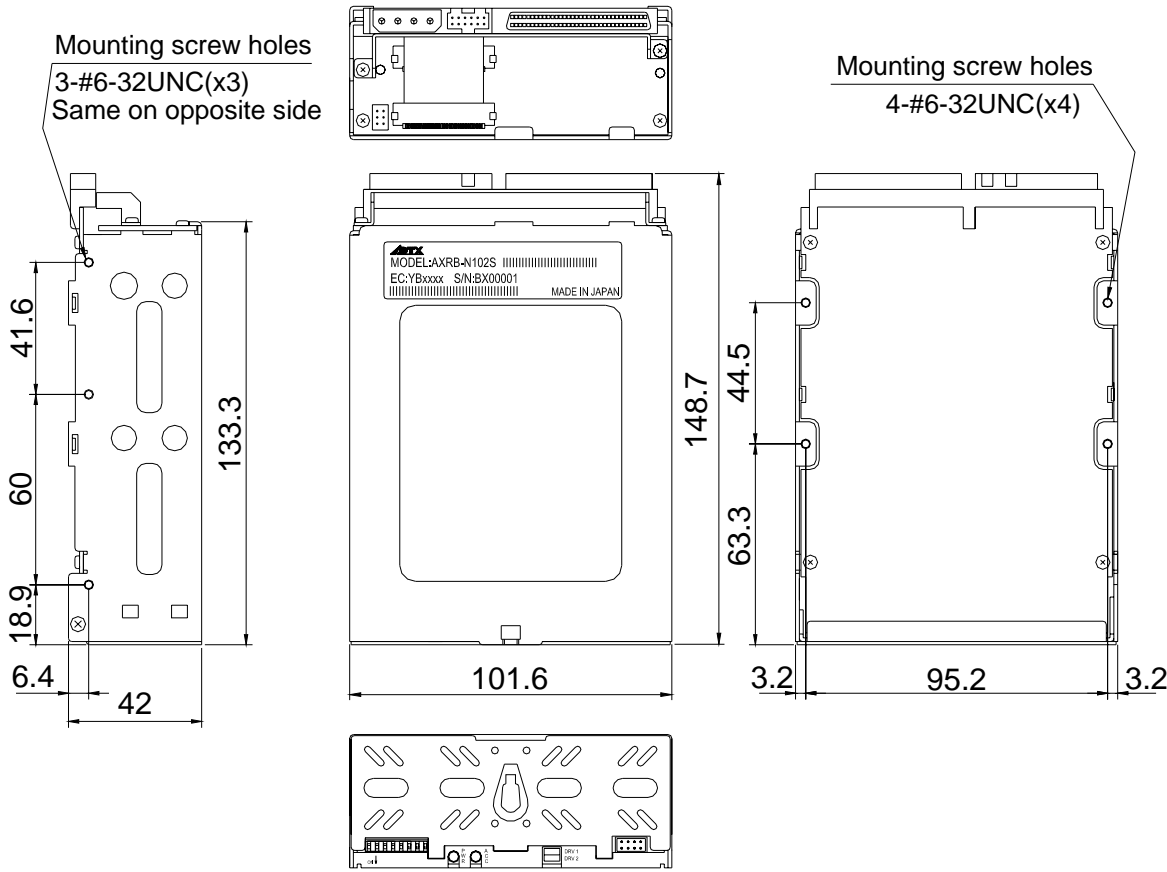


2.3 Front View (With Bezel Closed)

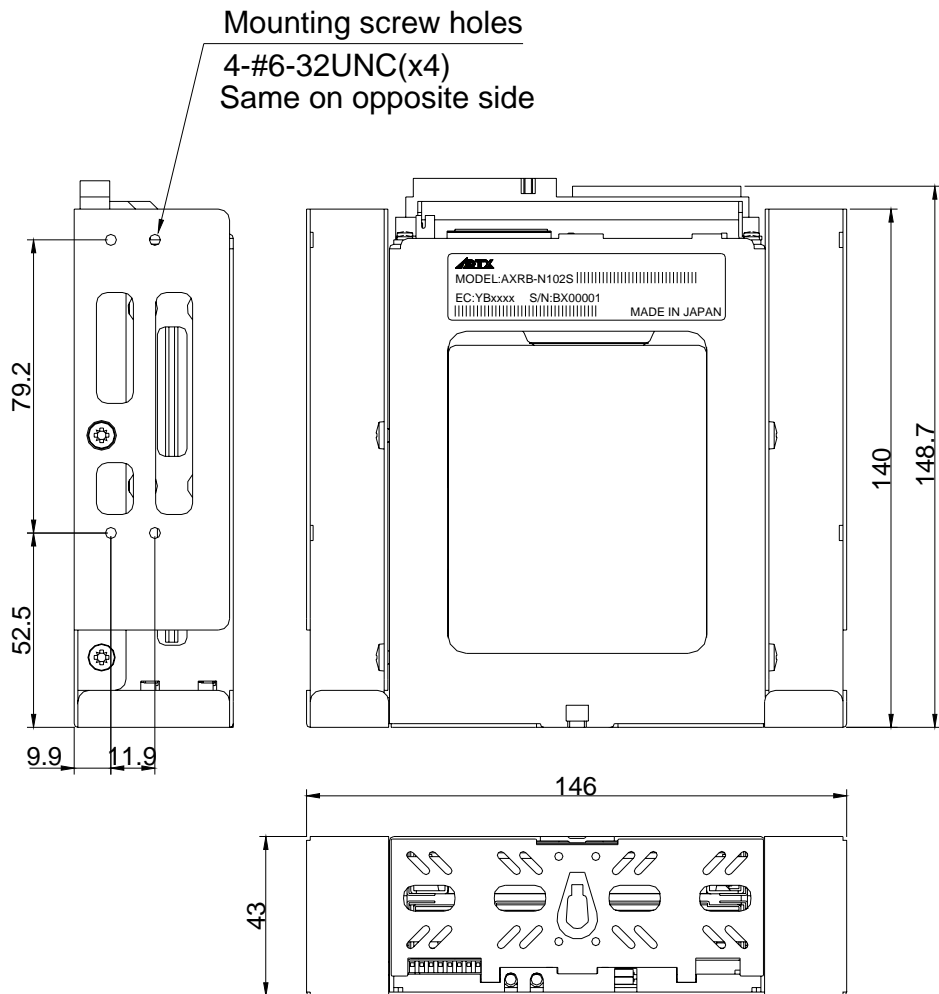


2.4 External Dimensions

2.4.1 Mirror Drive




2.4.2 External Dimensions with 5-inch Bay attached



3. Mounting in the Host Computer

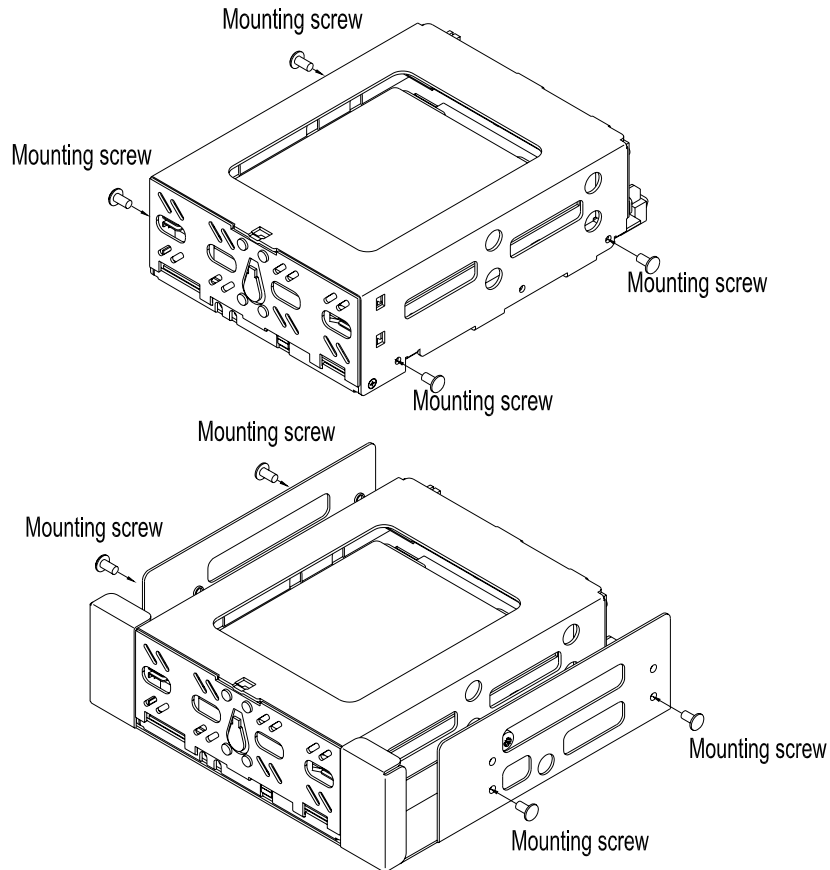
3.1 DIP Switch Settings


Before mounting it in your host computer, check to confirm the DIP switch settings for the **Mirror Drive**. Refer to "4. Settings" for the correct configurations of the DIP switches. For default settings, refer to "Appendix C Factory Default Settings."

	<h3>Caution</h3>	<p>Before setting any DIP switches or connecting cables, make sure the power supply of the host computer has been turned off.</p>
---	------------------	---

3.2 Mounting in the Host Computer

When mounting in the host computer, use the attached mounting screws and the specified mounting holes. The mounting screw hole locations are shown in "2.4 External Dimensions." An example of a mounting screw hole location is shown below.




	<h3>Caution</h3>	<p>When installing into the host computer, provide sufficient cooling in order to ensure that the surface temperature of the drive unit remains below 60°C.</p>
		<p>Do not block the ventilation openings. Without proper ventilation, the Mirror Drive will malfunction or fail.</p>

3.3 Connecting Cables

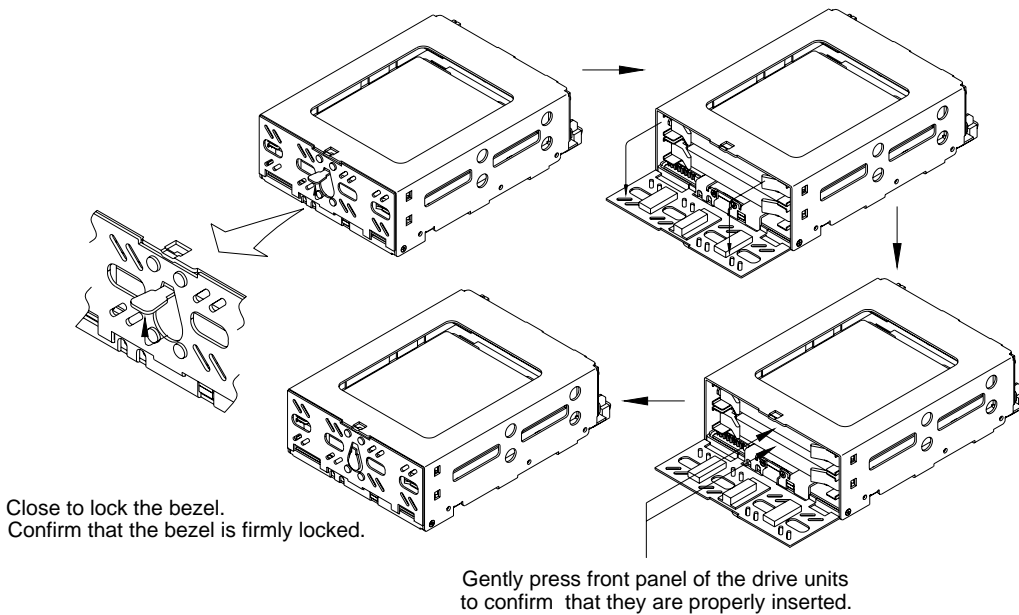
<1> Connect a 4-pin internal power cable, supplied DC +5V.

<2> Connect an internal SCSI cable to the host computer or to other existing SCSI peripherals.
If the **Mirror Drive** is the last device in the SCSI chain, install the SCSI terminator to the cable.


	<h2>Caution</h2>	If the Mirror Drive is of the last device in the chain or is the only SCSI device in use, attach a terminator to the SCSI cable. Using the drive without the terminator will result in malfunctions or failure.
		We strongly recommend using the shortest possible SCSI cable that complies with the SCSI-3 standard.

3.4 Turning on Main Power

Before turning on power for the host computer, open the bezel lock and press the front face of each drive unit to confirm that they are firmly inserted.
Then, close the bezel and turn on power for the host computer.



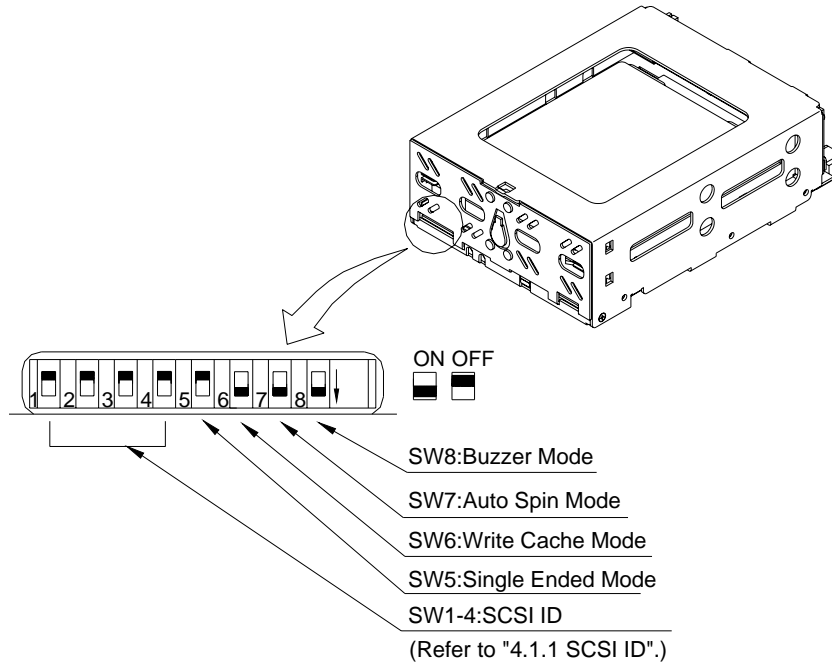
Confirm that the host computer recognizes the **Mirror Drive**.


	<h2>Caution</h2>	Before turning on power for the host computer, confirm that SCSI IDs are properly set and that the SCSI cable and the power cable are correctly connected.

4. Settings

4.1 Configuration DIP Switch 1

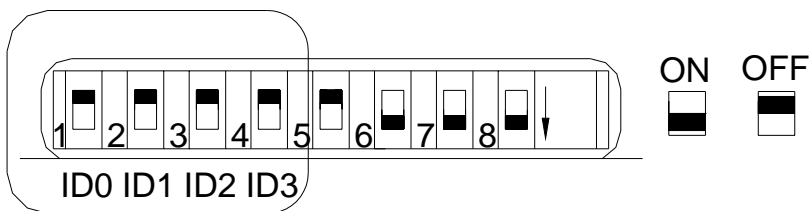
Setting DIP switch 1 can be used to select SCSI ID, single ended mode, write cache mode, auto spin mode and buzzer mode. Setting DIP switch 1 is located in the lower left. (8-bit DIP switch).



	<h3>Caution</h3>	<p>Before setting DIP switch 1, make sure the power supply for the host computer has been switched off. (The above the diagram is set to the factory shipping defaults.)</p>
---	------------------	--

4.1.1 SCSI ID

Select a SCSI ID (from 0 to 15) using binary DIP switch 1 SW1 through SW5. If you change the default value, make sure the new SCSI ID is unique.



The setting shown above sets the device SCSI ID to "0."

SCSI ID	ID0	ID1	ID2	ID3
0	OFF	OFF	OFF	OFF
1	ON	OFF	OFF	OFF
2	OFF	ON	OFF	OFF
3	ON	ON	OFF	OFF
4	OFF	OFF	ON	OFF
5	ON	OFF	ON	OFF
6	OFF	ON	ON	OFF
7	ON	ON	ON	OFF
8	OFF	OFF	OFF	ON
9	ON	OFF	OFF	ON
10	OFF	ON	OFF	ON
11	ON	ON	OFF	ON
12	OFF	OFF	ON	ON
13	ON	OFF	ON	ON
14	OFF	ON	ON	ON
15	ON	ON	ON	ON

4.1.2 Single Ended Mode

If this is enabled (set to "ON," the down position), the SCSI interface of the host computer will be set to single ended mode, regardless of settings at the host computer. If this setting is disabled (set to "OFF"), the mode set will be LVD or single ended, depending on the status of a host computer or other SCSI peripherals.

4.1.3 Auto Spin Mode


This setting is for automatically rotating the motor spindle of the HDD when power is turned on. If this setting is disabled (set to "OFF," the down position), the peak current at the start of the **Mirror Drive** may be reduced somewhat, since the spindle motor will not begin rotating at the same time that the host computer starts up.


In this case, have the host computer issue the START UNIT COMMAND to the **Mirror Drive** when power is turned on.

4.1.4 Write Cache Mode

This setting sets the write cache mode. If set to the Up position for "On," the **Mirror Drive** will signal completion of command processing to the host computer when data has been written to cache memory. If set to the Down position for "Off," the **Mirror Drive** will signal completion of command processing to the host computer when data has been written to the drive unit.

Be sure to follow the shutdown procedure specified for the host computer operating system.

	<h2>Important</h2>	<p>Always observe the shutdown procedure specified for the host computer operating system. In emergencies, wait at least 10 seconds to be sure both the access indicator and the drive status indicator have stopped flashing before shutting off power. Turning off power while the access indicator or the drive status indicator remains lit may result in loss of data residing in cache memory.</p>
---	--------------------	--

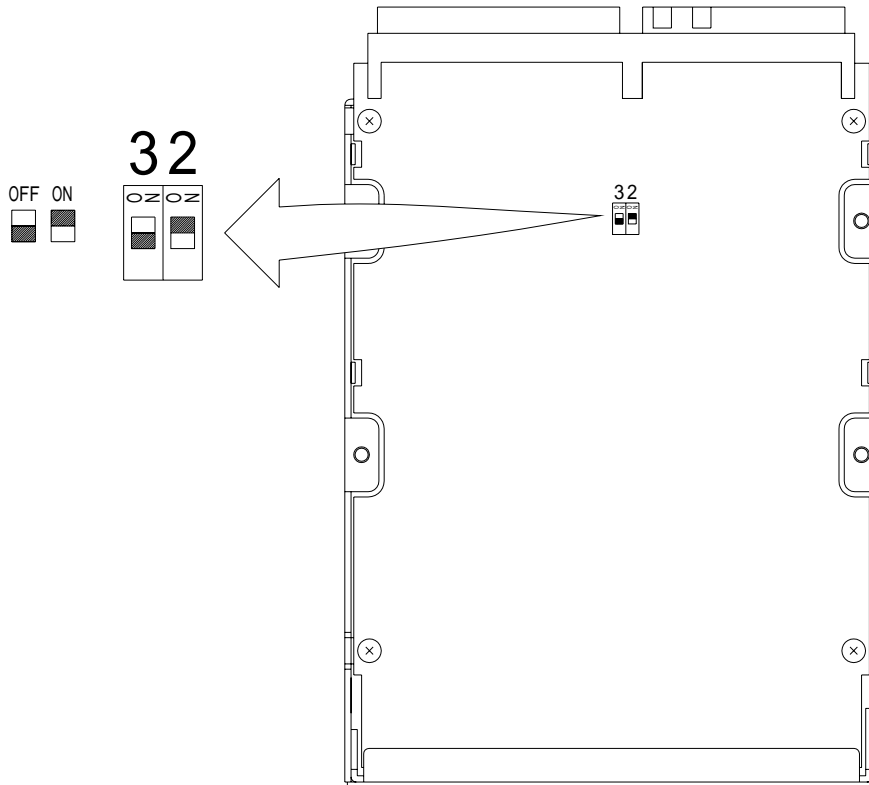
	<h2>Caution</h2>	<p>If the host computer is running either Windows 95, Windows 98, Windows NT, Windows Me or Windows 2000, both of which switch off the power supply in synchrony with the shutdown procedure, be sure to set the write cache mode to "Off." Setting write cache mode to "On" while running either operating system may lead to data loss.</p>
---	------------------	---

4.1.5 Buzzer Mode

If set to the Up position ("On"), a buzzer will sound if any error is detected. In the event of a drive unit failure, the buzzer will continue to sound until the failed unit is replaced. While the buzzer mode switch can be used to stop the buzzer, the setting can only be disabled after the failed drive has been replaced.

4.2 Configuration DIP Switch 2

Setting DIP switch 2 disables changes in the configuration.
The factory default setting is given below.



Important

Resetting DIP switch 2 will result in improper operations.

5. Status Display

5.1 Indicator

The status of the controller unit and drive units is displayed by the indicator on the front cover.

5.1.1 Access Indicator


Power	Green	Power is on.
Access	Green	Normal operation.
	Orange	An error has occurred in the controller unit.
	Orange flashing	<p><1> Both drive units have failed, or the drives may not be properly inserted (if both status indicators are out).</p> <p><2> The user has mistakenly replaced the correctly operating drive unit, not the one that has failed (if both status indicators are out).</p> <p><3> Data rebuilding is in operation (with copy to the target drive unit indicated by the green light).</p> <p>Any of the above.</p>

5.1.2 Drive Status Indicator

Drive unit 1	Green	Data rebuilding copied to drive unit 1 is operation. (1)
	Orange	<p><1> Drive unit 1 has failed.</p> <p><2> Drive unit 1 has reset. (2)</p>
Drive unit 2	Green	Data rebuilding copied to drive unit 2 is operation. (1)
	Orange	<p><1> Drive unit 2 has failed.</p> <p><2> Drive unit 2 has reset. (2)</p>

Note:

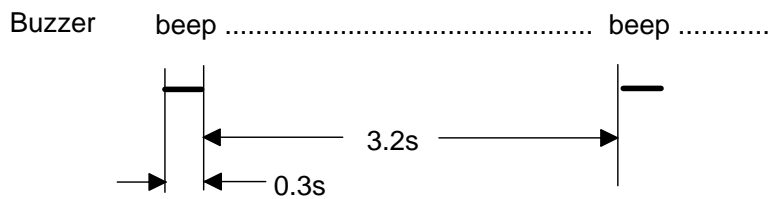
- (1) Drive Status Indicator will go out after data rebuilding.
- (2) In the event of reset, the buzzer will not beep.

	Important	If the drive status indicator flashes orange, immediately replace the specified drive unit. Leaving the Mirror Drive with a failed drive will result in data loss if the other drive fails.
---	------------------	--

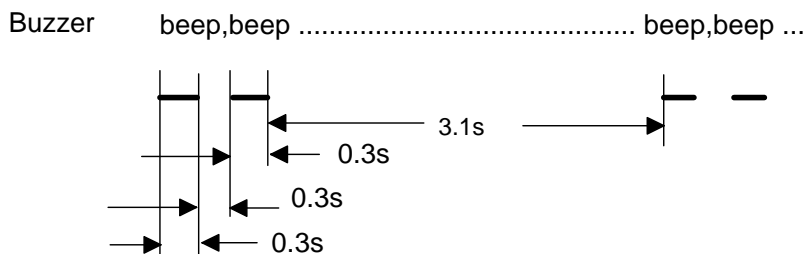
5.1.3 Buzzer

If this is set to "On," in the event of a failure, the buzzer will beep at the interval specified below.

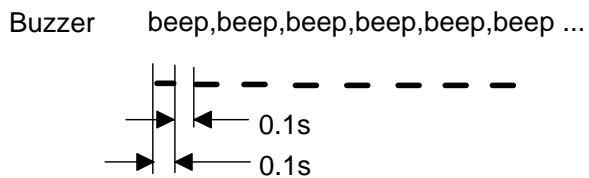
When drive unit 1 has failed



When drive unit 2 has failed

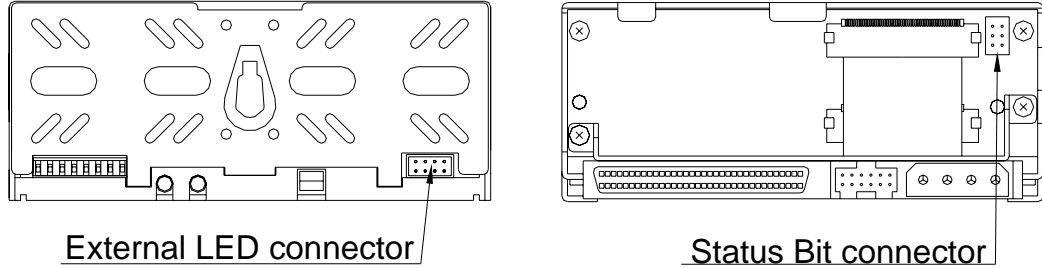


When both drive units have failed



5.2 External Output Signal

The output signal can be transmitted to monitor the detected status externally. The **Mirror Drive** has two types of signals; a status output signal and an external LED output signal. The connectors for these signals are shown in the figure below.



5.2.1 Status Output Signal

Status output is transmitted as a 3-bit signal.

For detail layouts and electrical specifications for the status bit connector pins, refer to "Appendix A.2.1 Status Output Signal."

5.2.2 External LED Output Signal

The drive status indicators of the **Mirror Drive**, green and orange signals for each drive, can be monitored externally in the same manner. These connections and settings will permit transmission of these signals to remote LEDs. For detail layouts and electrical specifications for the external LED connector pins, refer to "Appendix A.2.2 External LED Output Signal."

6. Removal and Replacement

If the **Mirror Drive** fails, the access indicator will light continuously or flash orange, while the drive status indicator will light continuously in orange.

If buzzer mode is enabled, the buzzer will continue to sound an alert.

Determination of removal and replacement must account for these status/failure indications.

6.1 Troubleshooting

Power indicator	Access indicator	Drive status indicator		Mirror Drive status and measures.
		Drive unit 1	Drive unit 2	
Green	---	---	---	Normal operations.
Green	Orange flashing	Off	Green	Rebuilding data from drive unit 1 to drive unit 2. (normal operation)
Green	Orange flashing	Green	Off	Rebuilding data from drive unit 2 to drive unit 1. (normal operation)
Green	---	Green	---	To confirm the connect status of device unit 1, remove and reinsert drive unit 1 while power is on. If recovery does not occur, replace drive unit 1.
Green	---	---	Green	To confirm the connect status of device unit 2, remove and reinsert drive unit 2 while the power is on. If recovery does not occur, replace drive unit 2.
Green	Orange	---	---	Controller unit failure. Replace the controller unit with a new controller unit.
Off	Off	Off	Off	Check the condition from of the power supply status. If not recovered, replace the controller unit with a new controller unit.
Green	Orange flashing	Off	Off	Check the condition of both drive units and check to confirm that the desired drive unit was properly replaced. If not recovered, replace the controller unit with a new controller unit.
Other lit or flashing indicator.				Contact your distributor.


--- : Normally off, or light continuously, or flashing when accessed.


If replacing the drive unit does not fix the problem, replace the controller unit with a new controller unit.

6.2 Replacing Drive Units

If one of the drive units fails, the **Mirror Drive** will continue to function, maintaining data integrity without requiring you to reboot your host computer. When the failed drive unit is replaced with a new drive unit, data rebuilding will begin automatically.

When replacing a drive unit, check to be sure that the drive status indicator lights in orange.

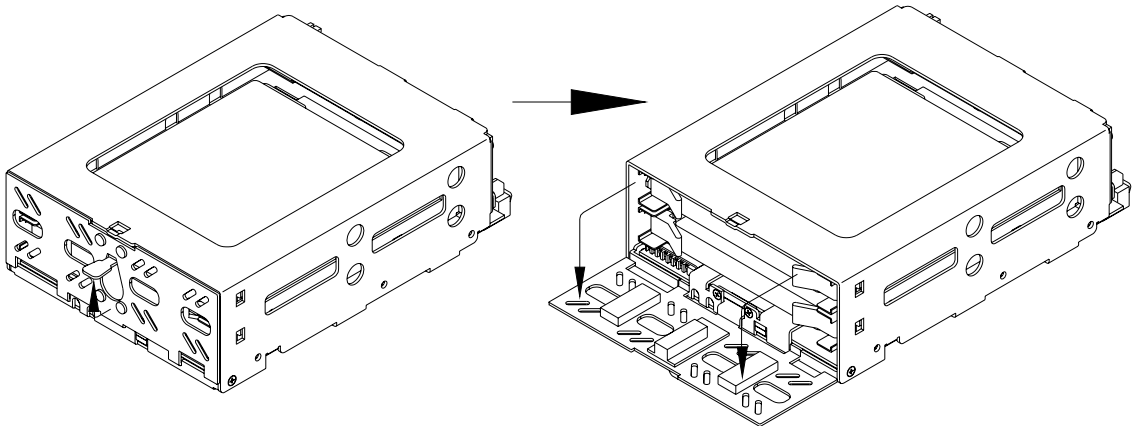
	<h3>Important</h3>	<p>Before replacing the failed drive unit, be sure to prepare the drive unit designated by ADTX as described in "Appendix D Replacement Parts. ". Do not replace with HDDs other than the designated model, even if the capacity, manufacturer, or model numbers on the label are same. Doing so will result in malfunction or damage. The warranty does not cover any damages resulting from replacement with non-specified HDD, and ADTX will not be liable for any consequences of doing so.</p>
		<p>If the drive status indicator light in orange, immediately replace the specified drive unit with a new drive unit. Leaving the Mirror Drive with a single operating drive unit will result in data loss if the other drive unit fails.</p>

	<h3>Caution</h3>	<p>Before handling the controller unit or drive unit while replacing the drive unit, touch a metal object, such as the metal enclosure of the host computer, to discharge static electricity from your body.</p>
		<p>Avoid subjecting the drive unit or controller unit to vibrations or shock when replacing. Subjecting the drive unit or controller unit to vibration or shock may result in malfunction or failure.</p>

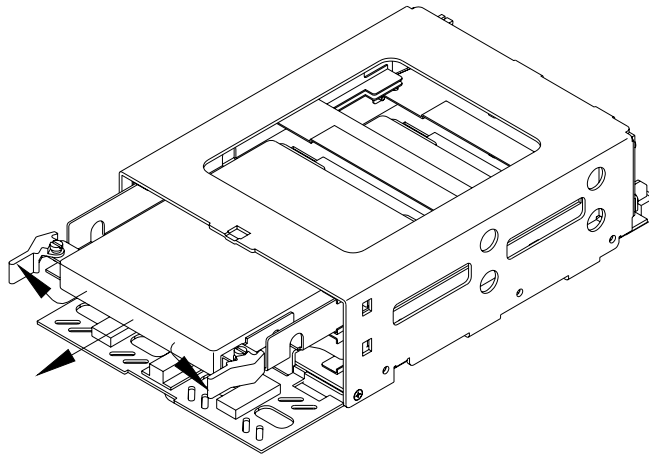
6.2.1 Replacing a Drive Unit

Replacement Procedure (with power on)

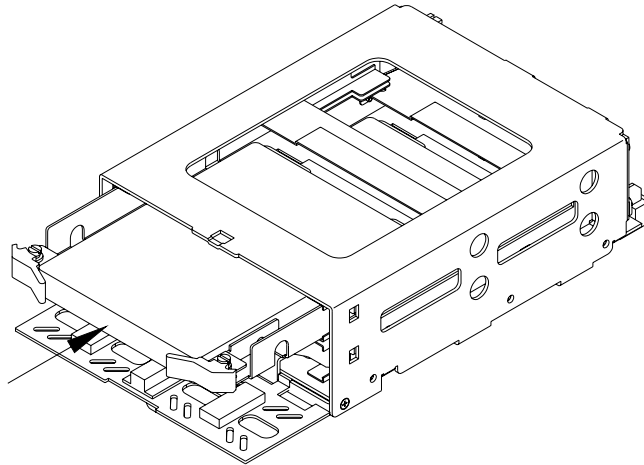
1. Prepare the new drive unit specified in "Appendix D Replacement Parts."
2. Confirm correct identification of the failed drive unit by the drive status indicator or buzzer.
3. Unlock to open the bezel.



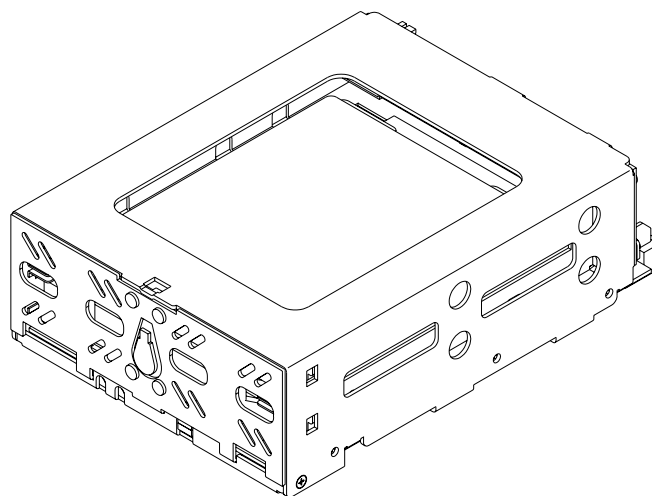
4. Pull the levers on the failed drive unit with your hands, then carefully remove the drive unit from the **Mirror Drive**.




5. After closing the levers on the new drive unit, slide it firmly to the backplane with your hands.




6. Close to lock the bezel. Confirm that the bezel is firmly locked.



7. In seconds, data rebuilding will start, while the drive status indicator for the replaced drive unit lights in green and the indicator for the correctly functioning drive unit remains unlit. The access indicator for the replaced drive unit will flash in orange.

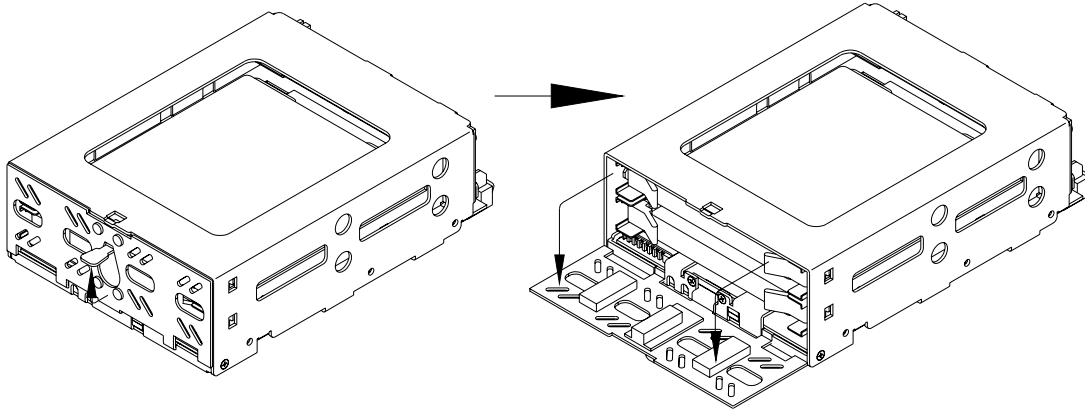
	Important	Do not remove the drive unit while rebuilding data.
---	------------------	---

8. When data rebuilding is complete, the drive status indicator will go out.
9. If the drive status indicator for the replaced drive unit does not turn green or turns orange once again, repeat the procedure, starting with step 2.

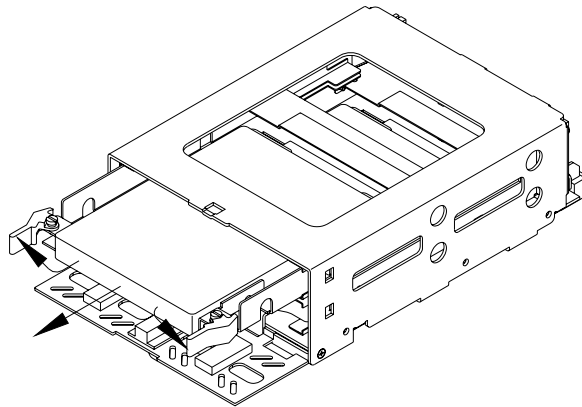
	Important	<p>If you mistakenly replace the correctly functioning drive unit, the drive status indicator for both drive units will go out while the access indicator will flash orange. The host computer will be unable to operate the Mirror Drive.</p> <p>In this case, turn off the host computer. Replace the failed drive unit with the new drive unit, and replace the correctly functioning drive unit. Turning on the host computer will begin data rebuilding.</p>
---	------------------	--

Replacement Procedure (with power off)

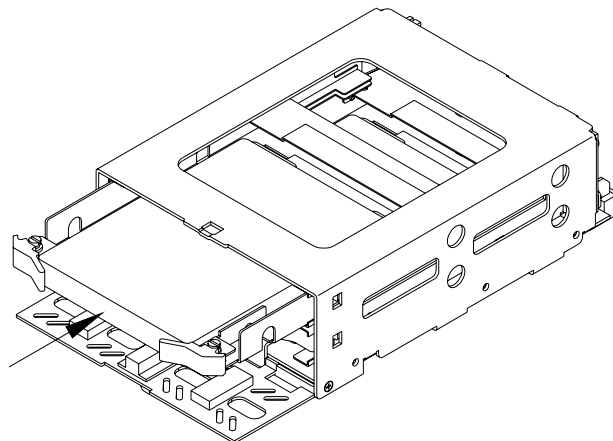
1. Prepare the new drive unit specified in "Appendix D Replacement Parts."
2. Confirm the identify of the failed drive unit by the drive status indicator or buzzer.
3. Turn off the host computer.
4. Unlock to open the bezel.



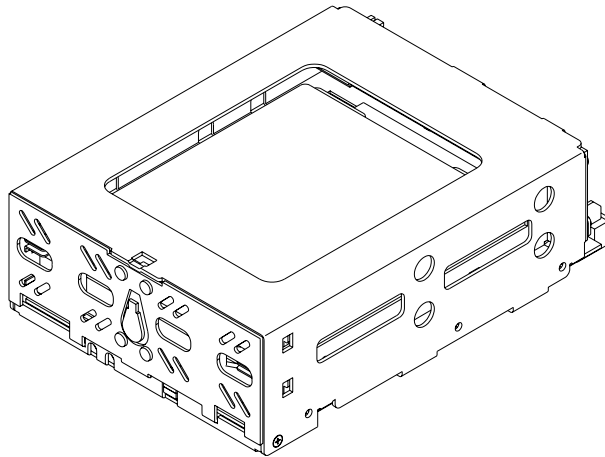
5. Pull the levers on the failed drive unit with your hands, then carefully remove the drive unit from the **Mirror Drive**.



6. After closing the levers on the new drive unit, slide it firmly to the backplane with your hands.



7. Close to lock the bezel. Confirm that the bezel is firmly locked.




8. Turn on the host computer.
9. In seconds, data rebuilding will start, while the drive status indicator for the replaced drive unit will light continuously in green. The indicator for the correctly functioning drive unit will not light. The access indicator for the replaced drive unit will flash orange.

	Important	Do not remove the drive unit while data is rebuilding.
--	------------------	--

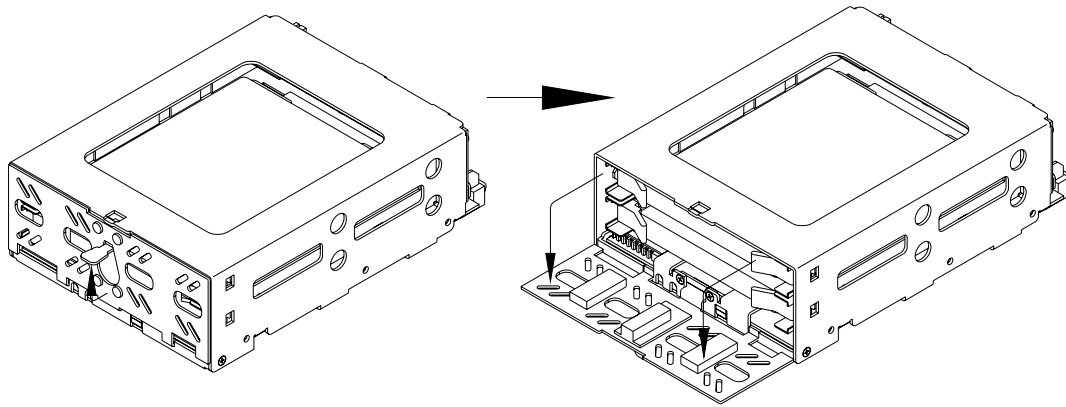
10. When data rebuilding is complete, the drive status indicator will go out.
11. If the drive status indicator for the replaced drive unit does not turn green or turns orange once again, repeat the procedure, starting with step 2.

	Important	<p>If you mistakenly replace the correctly functioning drive unit, the drive status indicator for both drives will go out, and the access indicator will flash in orange. The host computer will be unable to operate the Mirror Drive.</p> <p>In this case, turn off the host computer. Replace the failed drive with a new drive and reinstall the correctly functioning drive unit. Turning on the host computer will begin data rebuilding.</p>
--	------------------	--

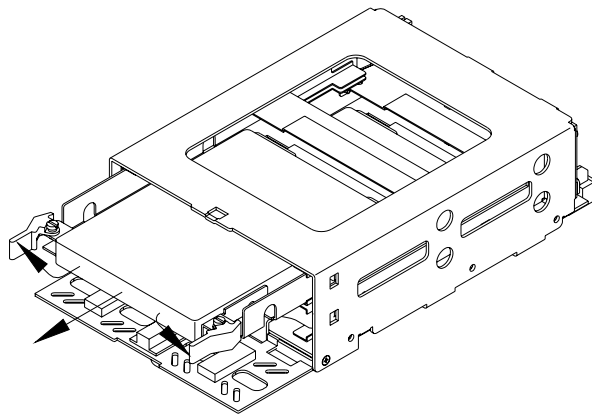
6.2.2 Replacing Both Drive Units

	<h2>Important</h2>	<p>Because this is an emergency recovery procedure, data corruption may occur. To avoid further data loss, back up all important data stored on the Mirror Drive to a suitable storage medium, such as tape drive or MO drive.</p>
---	--------------------	---

1. Prepare the new drive unit specified in "Appendix D Replacement Parts."
2. Turn off the host computer.
3. Unlock to open the bezel.



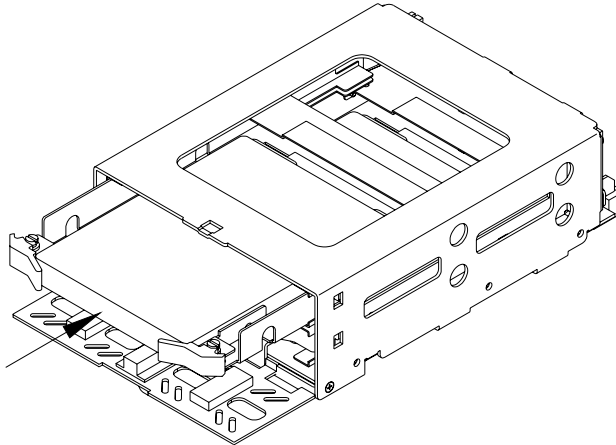
4. Pull the levers on the failed drive unit with your hands, then carefully remove the drive unit from the **Mirror Drive**.




(E.g.) When drive unit 1 failed first

5. Turn on the host computer.
6. Confirm that the host computer recognizes the **Mirror Drive**.

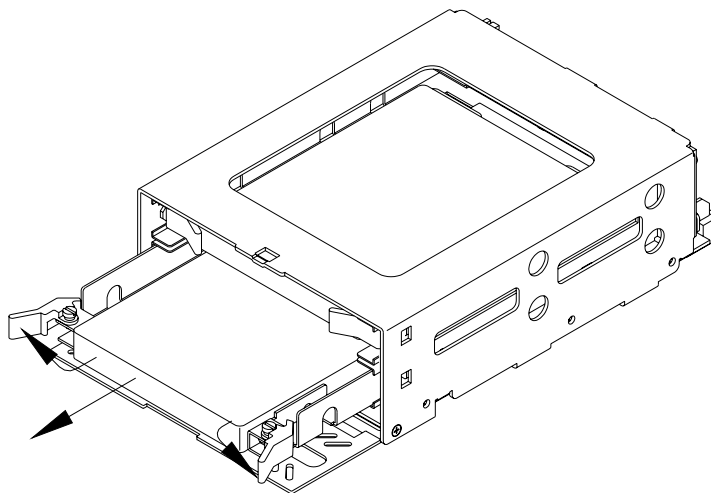
7. After confirming that the host computer recognizes the **Mirror Drive**, After closing the levers on the new drive unit, slide it firmly to the backplane with your hands.



8. In seconds, data rebuilding will start, while the drive status indicator for the replaced drive unit will light continuously in green. The indicator for the correctly functioning drive unit will not light. The access indicator for the replaced drive unit will flash orange.

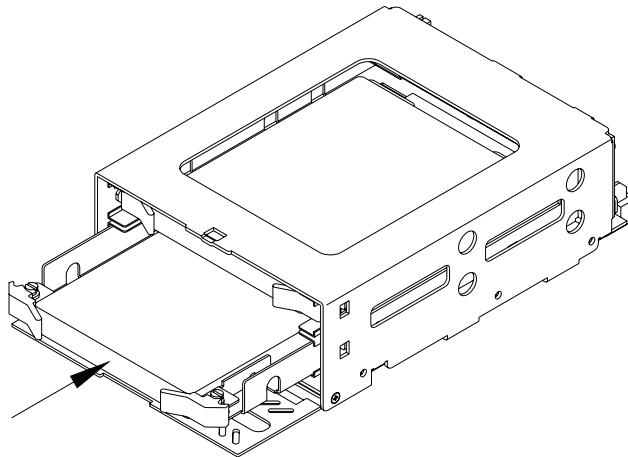
	Important	Do not remove the drive unit while data is rebuilding.
---	------------------	--

9. When data rebuilding is complete, the drive status indicator will go out. Turn off the host computer.
10. Pull the levers on the failed other drive unit with your hands, then carefully remove the drive unit from the **Mirror Drive**.

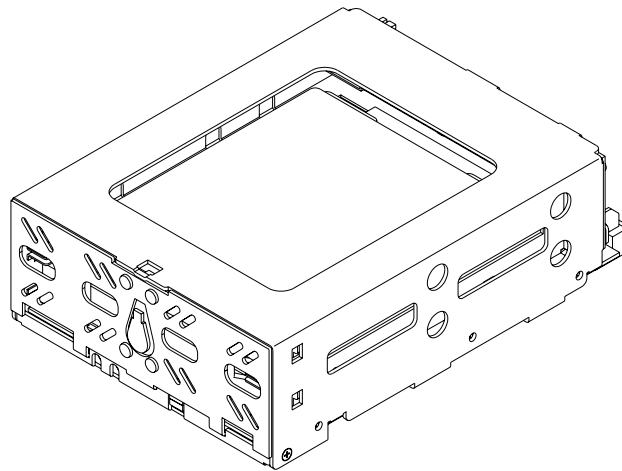


(E.g.) When drive unit 2 was the next to fail

11. After closing the levers on the new drive unit, slide it firmly to the backplane with your hands.



12. Close to lock the bezel. Confirm that the bezel is firmly locked.



13. Turn on the host computer.

14. In seconds, data rebuilding will start, while the drive status indicator for the replaced drive unit will light continuously in green. The indicator for the correctly functioning drive unit will not light. The access indicator for the replaced drive unit will flash orange.

	Important	Do not remove the drive unit while data is rebuilding.
--	------------------	--

15. When data rebuilding is complete, the drive status indicator will go out.

16. If the drive status indicator for the replaced drive unit does not turn green or turns orange once again, repeat the procedure, starting with step 2.

6.3 Replacing the controller unit

If the access indicator remains light in orange, or the drive status indicator light orange despite replacement of the drive unit, the controller unit may be defective. Replace the controller unit immediately.

Replace the controller unit with a new controller unit while power is off. Controller units are not hot-swappable components.

There are two replacement procedures, depending on the condition of the drive unit, as follows:


<1> If both drive units are function normally:

Transfer both drive units to the new controller unit.

Ensure that each drive unit is inserted into the appropriate drive bays.

<2> If one drive unit fails:


Transfer only the correctly functioning drive unit to the new controller unit.

	<h3>Caution</h3>	<p>Before replacing controller units, check to confirm that the host computer has been turned off.</p>
		<p>Before handling the controller unit or drive unit while replacing the controller unit, touch a metal object, such as the metal enclosure of the host computer, to discharge static electricity from your body.</p>
		<p>Avoid subjecting the drive unit or controller unit to vibrations or shock when replacing. Subjecting the drive unit or controller unit to vibration or shock may result in malfunction or failure.</p>

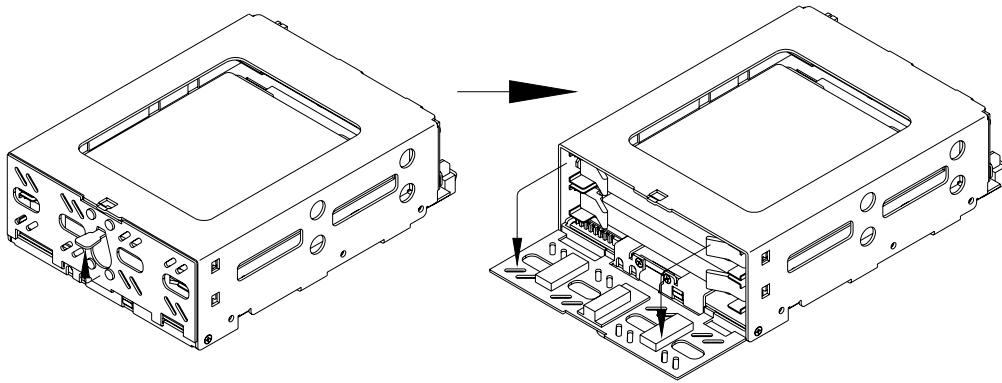
6.3.1 Replacing the Controller Unit (with both drives functioning normally)

Replacement Procedure

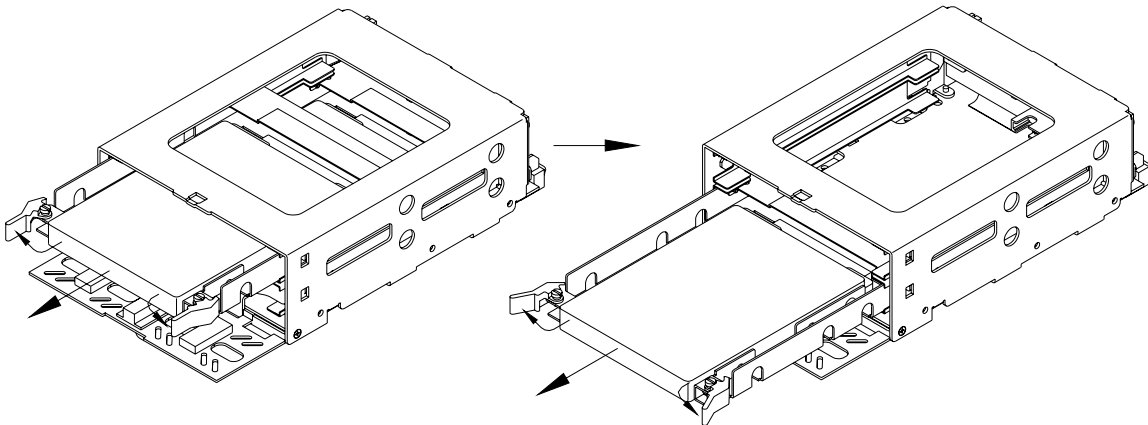
1. Prepare the new controller unit specified in "Appendix D Replacement Parts."
2. Turn off the host computer.
3. Disconnect the SCSI cable and 4-pin internal power cable and remove the **Mirror Drive** from the host computer.

	Caution	When replacing controller units, place the antistatic bag in which this product was originally packed on a flat, level surface. Work on the Mirror Drive in this area.
---	----------------	---

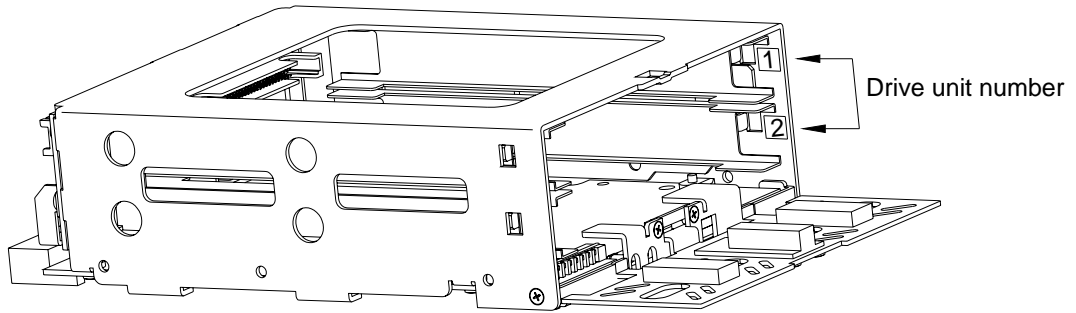
4. Unlock to open the bezel.



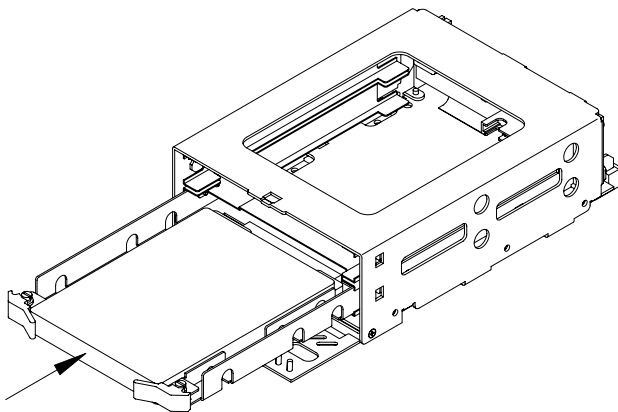
5. Pull the levers on the drive unit with your hands, then carefully remove each drive unit from the **Mirror Drive**.



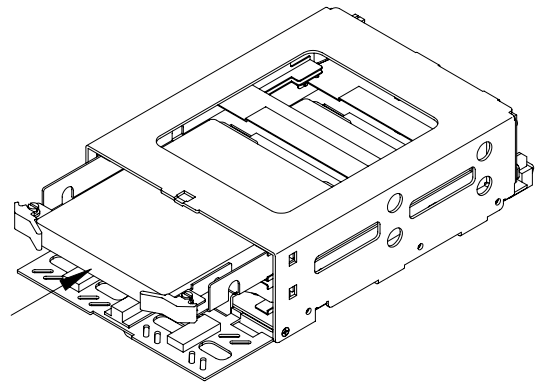
6. After closing the levers on the drive unit, insert the drive unit into the same numbered bay and slide it firmly to the backplane using your hands.



Drive unit number display location

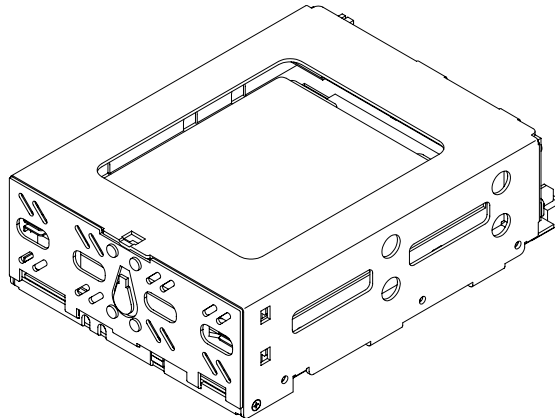


Insert drive unit 2



Insert drive unit 1

7. Close to lock the bezel. Confirm that the bezel is firmly locked.




8. Mount the **Mirror Drive** in the host computer and firmly connect the SCSI cable and 4-pin internal power cable.

9. Turn on the host computer.

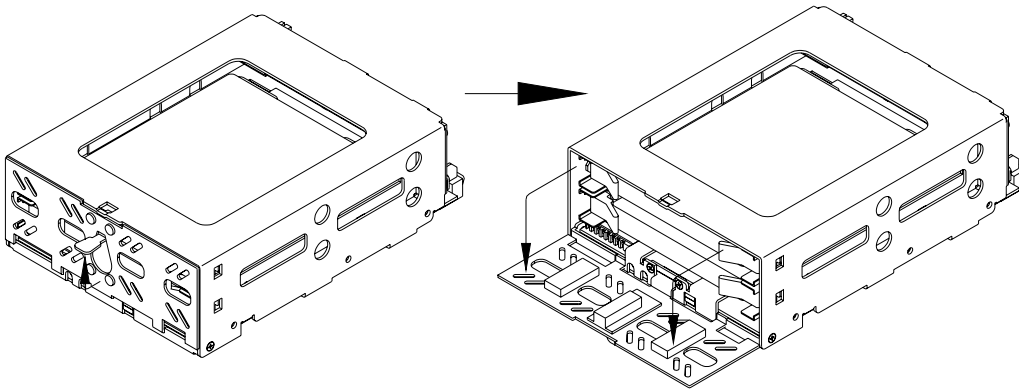
6.3.2 Replacing the Controller Unit (when one drive fails)

Unit Replacement Procedure

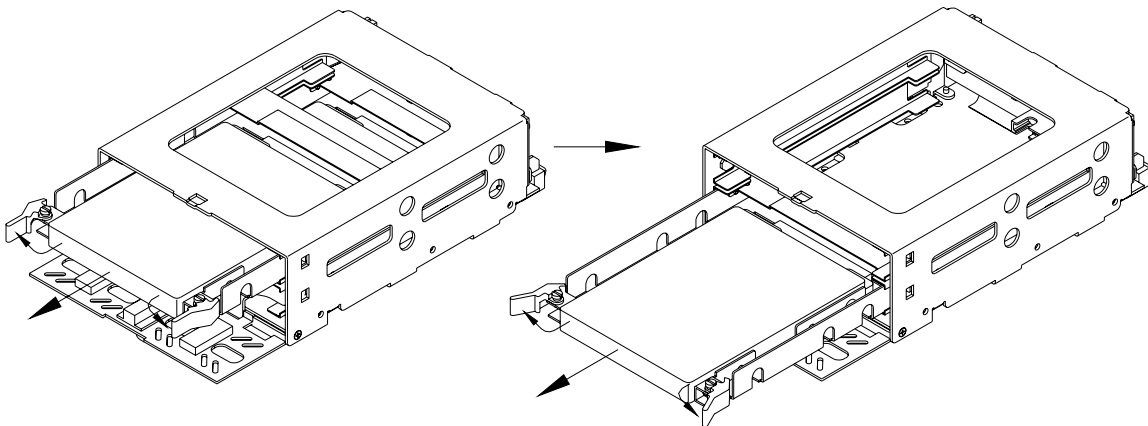
1. Prepare the new controller unit in "Appendix D Replacement Parts."
2. Confirm the identity of the failed drive unit by the drive status indicator or buzzer.
3. Turn off the host computer.
4. Disconnect the SCSI cable and 4-pin internal power cable and remove the **Mirror Drive** from the host computer.

	Caution	When replacing controller units, place the antistatic bag in which this product was originally packed on a flat, level surface. Work on the Mirror Drive in this area.
---	----------------	---

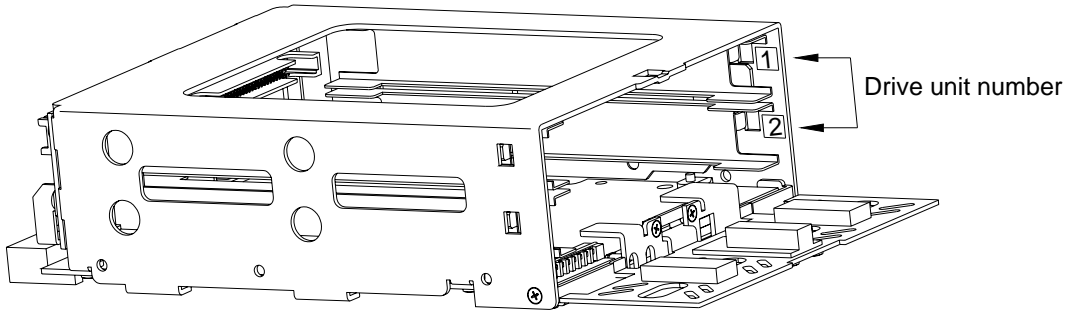
5. Unlock to open the bezel.



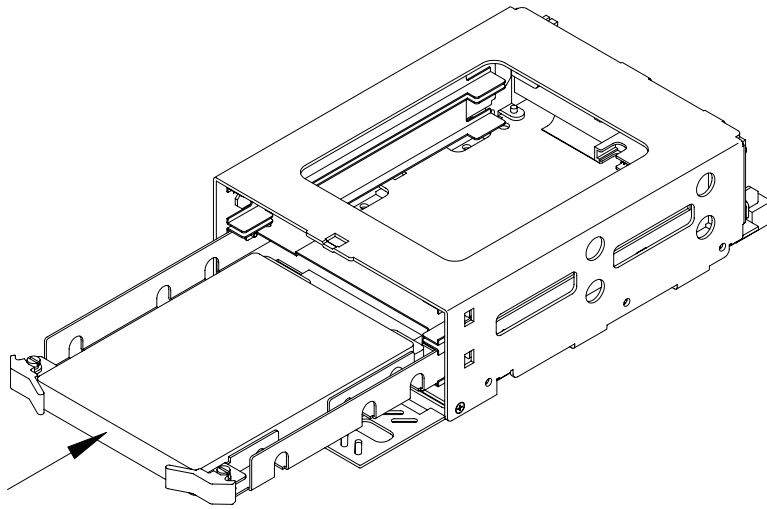
6. Pull the levers on the drive unit with your hands, then carefully remove each drive unit from the **Mirror Drive**.



7. After closing the levers on the drive unit, insert the correctly functioning drive unit into the same numbered bay and slide it firmly to the backplane with your hands.

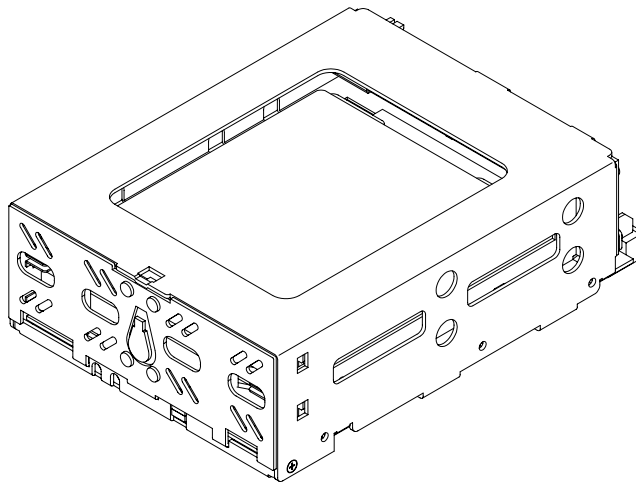


Drive unit number display location



(E.g.) When drive unit 2 is operating normally

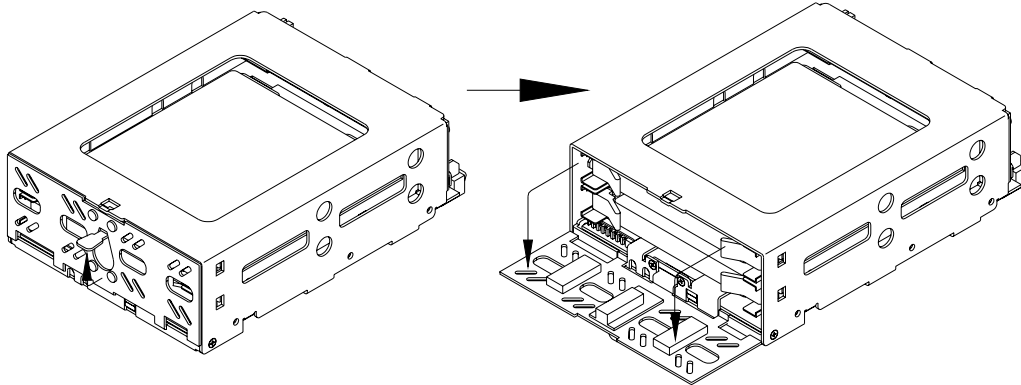
8. Close to lock the bezel. Confirm that the bezel is firmly locked.



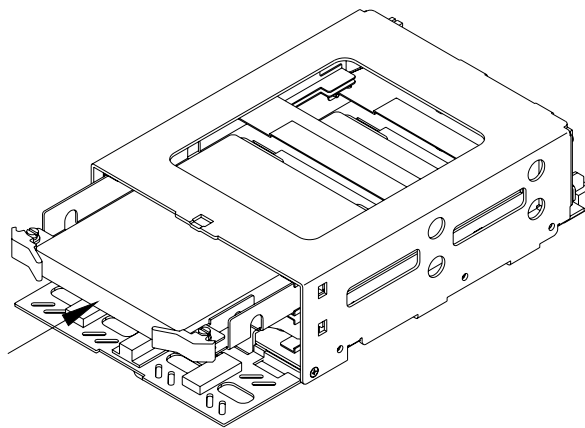
9. Mount the **Mirror Drive** in the host computer. Firmly connect the SCSI cable and 4-pin internal power cable.

10. Turn on the host computer. Confirm that the host computer recognizes the **Mirror Drive**.

11. Unlock to open the bezel.

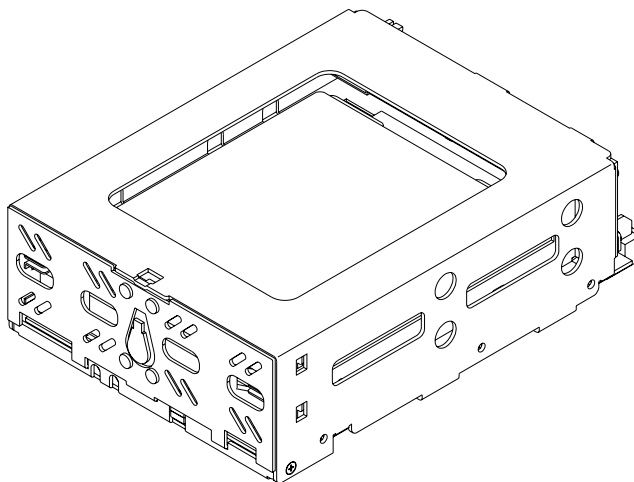


12. After closing the levers on the drive unit, insert the new drive unit into the desired bay and slide it firmly to the backplane with hands.




(E.g.) When replacing drive unit 1.

13. Close to lock the bezel. Confirm that the bezel is firmly locked.



14. In seconds, data rebuilding will start while the drive status indicator for the replaced drive unit will light in green and the indicator for the correctly functioning drive unit goes out. The access indicator for the replaced drive unit will flash in orange.

	Important	Do not remove the drive unit while data is rebuilding.
---	------------------	--

15. When data rebuilding is complete, the drive status indicator will go out.
16. If the drive status indicator for the replaced drive unit does not turn green or lights in orange once again, reinsert both drive units.


6.4 Other problems

If the problem persists even after you replace the drive unit or the controller unit, please contact your distributor.


6.5 Data Rebuilding

If a drive unit that has failed was correctly replaced, data rebuilding (the copying of all data on the primary drive to the replaced new drive unit) will start automatically.

If one of the drive units fails, the **Mirror Drive** will continue to function, maintaining data integrity. During data rebuilding, the drive status indicator for the correctly functioning drive unit will go out, and the drive status indicator for the replaced drive unit will light in green.

	Caution	Do not turn off the host computer while the Mirror Drive is rebuilding data. Doing so may result in loss of data or failure.
---	----------------	---

If, during data rebuilding, there are sectors that cannot be read on the normally operating drive unit, data rebuilding will skip these sectors and continue. These skipped sectors will no longer be readable. However, if new data is written to those sectors, those sectors will become readable.

	Important	If the data recovery process skips errors during data rebuilding, then the data on those sectors will be lost. It is recommended you make periodic backups.
--	------------------	---

Appendix A Specifications

A. 1 Product Specification

Model Name		AXRB-N102S	AXRB-N202S
RAID levels		1	
Storage Capacity		10 GB	20 GB
LBA		19,636,736	39,065,984
Cylinders		19,480	38,755
Heads		16	
Sectors		63	
Host interface		Ultra Wide SCSI (LVD or SE)	
Data transfer speed (max.)		40MB/s	
Number of HDDs		2	
External Dimensions	Mirror Drive	101.6mm (W) x 148.7mm (L) x 42.0mm (H)	
	Mirror Drive with 5-inch bay attached	146.0mm (W) x 148.7mm (L) x 43.0mm (H)	
Weight (max.)	Mirror Drive	700g	
	Mirror Drive with 15-inch bay attached	900g	
Operational environment (1)	Temperature	In operation 5 to 45 °C (4) Not in operation -40 to 65 °C	
	Humidity	In operation 8 to 90% Not in operation 5 to 95%	
Voltage (Vcc)		4.85 to 5.25 VDC	
Power supply ripple (2) (max.)		100mV p-p (0 to 20 MHz)	
Power startup time (3)		5 to 100 ms	
Power consumption	Startup (max.)	2.6A	
	Idle (max.)	1.3A	
	Read/Write (max.)	2.0A	

Note:

(1): With no condensation.

(2): Including startup time.

(3): Time until Vcc reaches 4.85V.

(4): When mounting in your host computer, provide sufficient cooling to keep the surface temperature of the drive unit below 60 °C.

A.2 External Output Signal Specifications

A.2.1 Status Output Signal

This table shows the pin configurations, status definitions, internal circuitry, electrical specifications, and connector specifications for the status output signal.

The connector signal pins are configured as follows:

Pin Number	Signal	Pin configuration
1	GND	
2	+5VDC	
3	Status bit 2	
4	Status bit 1	
5	Status bit 0	
6	GND	

Status output is transmitted in 3-bit signals, as follows:

Number	Status bit 2	Status bit 1	Status bit 0	Status
0	L	L	L	Normal operation
1	L	L	H	Drive unit 1 has failure
2	L	H	L	Drive unit 2 has failure
3	L	H	H	Data rebuilding
4	H	L	L	Controller unit failure (1)
5	H	L	H	Reserved
6	H	H	L	Mirror Drive startup processing
7	H	H	H	Initializing

H: TTL level output high.

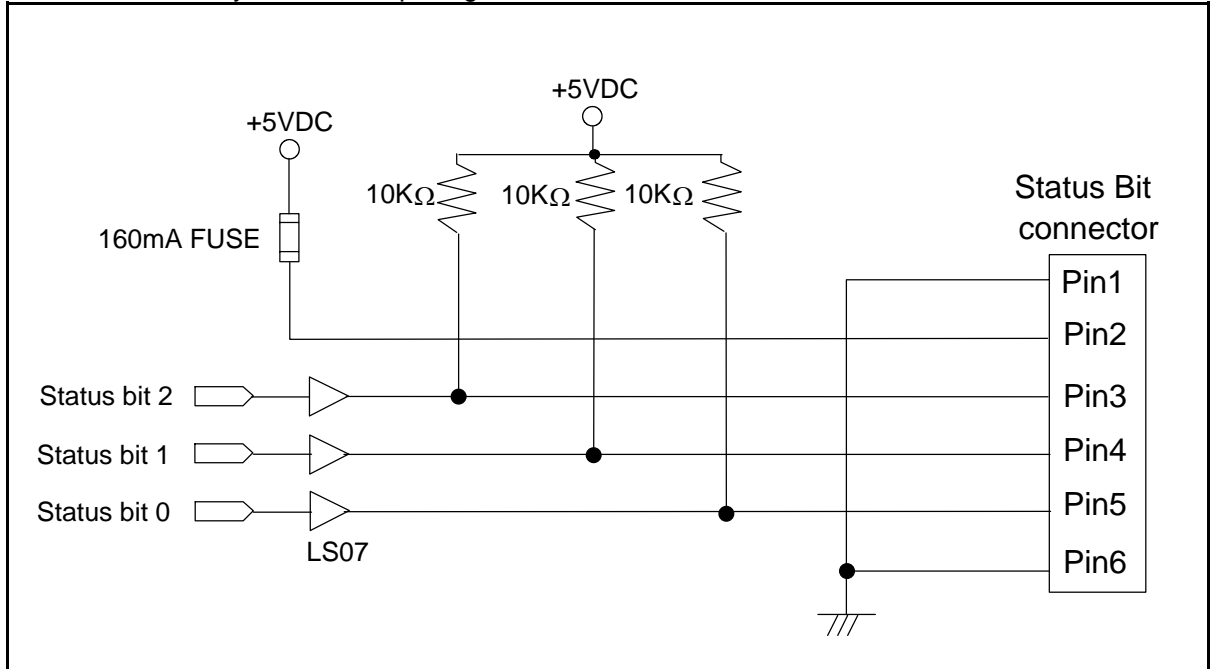
L: TTL level output low.

Note:

(1) The following may indicate damage to the controller unit.

- If both drive units fail to power on.
- If both drive units are properly connected, with power on
- If the correctly functioning drive is erroneously replaced, rather than the drive unit that failed.

The internal circuitry of status output signals indicate as follows:



Status output signal uses LS07 (open collector).
 Each output has a 10K pull-up resistor.

Connector Specifications

	Part name	Manufacturer
Mirror Drive header	DF11-6DP-2DSA	HIROSE Electric Co., Ltd.
External connectors – connector side (recommended)	DF11-6DS-2C	HIROSE Electric Co., Ltd.
External connectors – connector crimp contacts (recommended)	DF11-2428SCF/SC	HIROSE Electric Co., Ltd.

A.2.2 External LED Output Signal

This table shows the pin configuration, status definitions, external connection circuit diagram, electrical specifications, and connector specifications for the external LED connector.

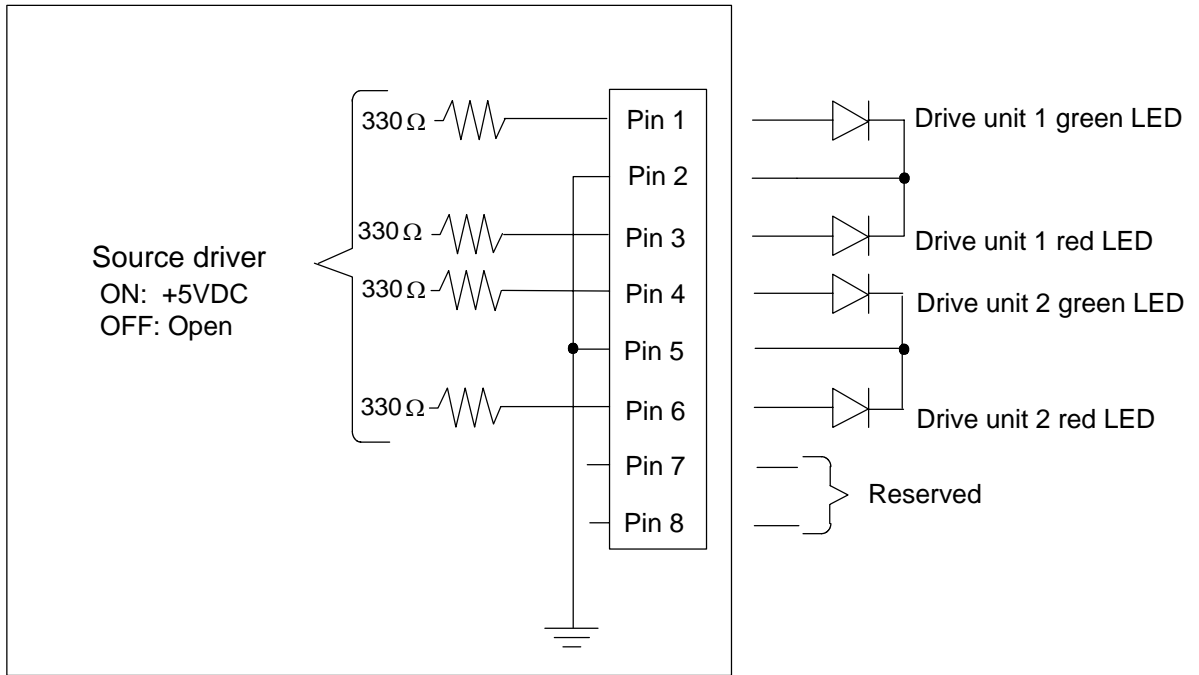
The connector signal pins are configured as follows:

Pin Number	Signal	Pin configuration
1	Drive unit 1 green LED	
2	GND	
3	Drive unit 1 red LED	
4	Drive unit 2 green LED	
5	GND	
6	Drive unit 2 red LED	
7	Reserved	
8	Reserved	

Output signals and drive status indicators **Mirror Drive** of correspond as below.

Mirror Drive – Drive status indicators	External LED output signal			
	Pin 1	Pin 3	Pin 4	Pin 6
Drive unit 1 green LED	On	Off	Off	Off
Drive unit 1 orange LED	On	On	Off	Off
Drive unit 2 green LED	Off	Off	On	Off
Drive unit 2 orange LED	Off	Off	On	On

The internal circuitry of external LED output signal indicate as follows:



External LED output signal electrical specifications. (The signal pins 1, 3, 4, 6)

Source current (Output: High)	Max. 15mA
-------------------------------	-----------

	Caution	The output signal voltage will vary with internal control resistance.
--	----------------	---

Connector specifications

	Part name	Manufacturer
Mirror Drive header	DF11-8DP-2DS22	HIROSE Electric Co., Ltd.
External connectors – connector side (recommended)	DF11-8DS-2C	HIROSE Electric Co., Ltd.
External connectors – connector crimp contacts (recommended)	DF11-2428SCF/SC	HIROSE Electric Co., Ltd.

Appendix B Accessories

3.5-inch Mirror Drive SCSI Model AXRB-N Series is shipped with following accessories.

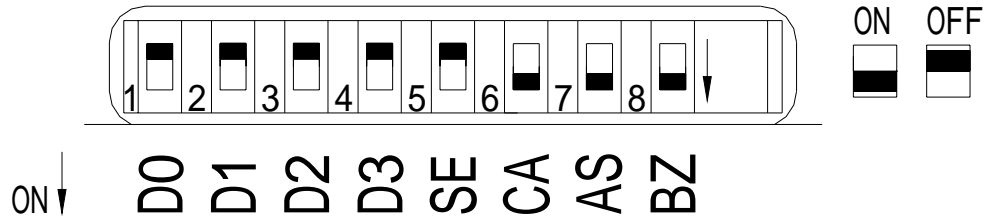
- 3.5-inch Mirror Drive SCSI Model AXRB-N Series user's manual. (This manual)
- Mounting screws. (x4)

Appendix C Factory Default Setting

The **Mirror Drive's** factory default setting is as follows:

Setting DIP switch 1

	Factory Default Setting		
	Setting	DIP Switch No.	DIP Switch setting
SCSI ID	0	1	OFF
		2	OFF
		3	OFF
		4	OFF
Single ended mode	OFF	5	OFF
Write cache mode	ON	6	ON
Auto spin mode	ON	7	ON
Buzzer mode	ON	8	ON



Setting DIP switch 2

OFF ON

32

ON ON

Factory Default Setting	
DIP Switch No.	DIP Switch setting
2	ON
3	OFF

Appendix D Replacement Parts

The following are supplied as user-replaceable parts.

Part name	Part number	
10GB drive unit	A202570	replacement drive unit for AXRB-N102S.
20GB drive unit	A202580	replacement drive unit for AXRB-N202S.
Controller unit	A202585	replacement controller unit for AXRB-N series SCSI.

Information

For more information about this product, please contact your distributor.

Distributor's information

- Product Records

Model Name : _____

Model / Type : _____

Serial Number : _____

- *Manufacturer*



This product is manufactured by
Storage Vision Co., Ltd. in Japan.

<http://www.str-v.com>