



3.5-inch Mirror Drive AT MODEL AXRB-N Series

User's Manual

P/N A202967

Revision 1. 1 e

偶数ページで終了するための白紙です

Introduction

Thank you for purchasing our **3.5-inch AT Model AXRB-N Series Mirror Drive**.

Important Points

Please ensure you read the user's manual before use.

This manual explains important points, methods of handling, and configuration methods for all functions, in order that you can make full use of the capabilities of the **3.5-inch Mirror Drive AT Model AXRB-N Series**. In the event you should have any problems with the **Mirror Drive**, please refer to this user's manual.

"6. Handling Faults" on page 15 offers solutions for most of the problems that occur during use of the **Mirror Drive**.

Storage of Container and Packaging Materials

The container and packaging materials protect the Mirror Drive from shock during transportation.

After unpacking the **Mirror Drive**, please keep the box and use it if you need to send the drive for repair.

Furthermore, this product is sealed in an antistatic bag at the time of shipping, so only open the bag immediately before setup or use.

Records of Product Name, Version, and Serial Numbers

Before installing the **Mirror Drive** into the host computer, please make a note of the product name, version, and serial numbers.

For location of the product name, etc., refer to P.3 "2.1 Part Names."

**THIS DOCUMENT MAY NOT BE REPRODUCED OR COPIED IN WHOLE OR IN PART.
THE CONTENTS OF THIS DOCUMENT ARE SUBJECT TO CHANGE WITHOUT NOTICE.
WE HAVE MADE EVERY EFFORT TO ENSURE THE ACCURACY AND COMPLETENESS
OF THIS DOCUMENT. IF YOU FIND INACCURACIES OR OMISSIONS, PLEASE CONTACT
YOUR DISTRIBUTOR.**




Copyright(c) Storage Vision Co., Ltd All rights reserved.

In order to safely use this product:

This user's manual uses the following symbols in order that you may safely use this product. Please observe the following safety points.

About these symbols:

In order to prevent injuries to you and other people, and damage to objects when using this product, the following symbols are used in the user's manual and affixed to the **Mirror Drive**.

	Warning	Indicates a situation that, if not avoided, may result in death or serious injury.
	Caution	Indicates a situation that, if not avoided, may result in physical injury or property damage.
	Important	Indicates important issues and restrictions that should be observed in order to avoid failure of or damage to the product, or product malfunction.

About Danger / Caution Labels

Labels that have black lettering on a yellow background and that are displayed on either the exterior or interior of the product are **Warning** or **Caution** labels that outline safety issues. Ensure that the directions explained there are followed.

Where **Warning** or **Caution** labels are displayed that are not explained in this user's manual, ensure that those directions are observed.

Warning

- In the event of any abnormalities, such as the emitting of smoke or unusual odors, immediately cut off the power supplied to the host computer.
- In the event that any foreign objects (metals, water, liquids, etc.) should enter the product's casing, immediately cut the power supply to the host computer.
- Do not use in hot or damp locations.
Doing so may lead to fire, electrical shock, or damage.
- Do not disassemble or modify this product.
Doing so may lead to fire, electrical shock, or damage.
- When connecting and removing this product's cables, cut the power supply to the host computer and any connected devices. Additionally, do not forcefully bend, twist, or pull the cables.
Doing so may lead to fire, electrical shock, or damage.

Caution

- Do not use in locations subject to vibration or shock. Doing so may lead to malfunction or disk failure.
- Subjecting the product to rapid changes in temperature may cause condensation within the unit, which may lead to disk failure. Take measures to avoid condensation. Should condensation occur, leave the unit switched off for a period of time, and use only after confirming that it has dried completely.
- Do not locate the unit near equipment that generates strong electromagnetic radiation, such as televisions or speakers. Doing so may lead to malfunction or disk failure.
- In the event of moving the host computer in which this unit is mounted, cut off the power supplied, and ensure it is not subject to vibration or shock. Failure to do so may lead to malfunction or disk failure.
- Repeatedly turning if the power on and off within a short period of time may cause a disk that is spinning down to start spinning up again, causing damage to the hard disk drive spindle motor and heads, which may shorten its operational life. When turning the power off, ensure that the drive has sufficient time to stop spinning (approximately 20 seconds) before turning the power on again. Even when removing a normally operating drive unit, turn the power off, and wait for a sufficient amount of time (approximately 20 seconds) before removing the drive.
- Do not remove a normal drive unit while the power is switched on.
Removing a normally operating drive unit in this way may result to drive failed.
Furthermore, doing so may cause damage to the disk heads and platter inside the hard disk drive, which may lead to disk failure.
- Do not leave the units unused, or store for long periods of time (three or more months) when switched off. Doing so may lead to malfunction or disk failure.
- Do not apply pressure to the covers of the hard disk drive.
Doing so may lead to malfunction or disk failure.
- After unpacking or transport, ensure each disk drive is properly inserted before turning the power on.

Important

- Ensure that important data is backed up to a suitable medium, such as tape or MO drives. This unit is designed to use mirroring to prevent data loss even in the event of one drive unit failing. In the event that two drive units fail simultaneously, or a non-redundant part fails, there is a possibility of data loss. Additionally, data loss may also occur as a result of accidental deletion or equipment damage.
- Do not obstruct the holes in the hard disk drive cover. Doing so may lead to hard disk drive failure.
- This unit uses cache memory, therefore except in emergencies, follow the operating system's correct shutdown procedures, or wait for at least 10 seconds after the drive access indicator has stopped flashing, before turning off power to the unit. Failure to do so may lead to loss of data stored in the cache memory.
- Each drive unit is controlled according to its serial number. Except when replacing controller units or drive units, do not remove or switch around drive units. Doing so may result in the drive being unable to start up.
- When installing in the host computer's mounting bay, mount the unit securely using the mounting screws provided (recommended torque 0.49 Nm).
- When one drive unit has failed, upon turning the host computer power on, the **Mirror Drive** may take a maximum of 15 seconds to start. Accordingly, BIOS time out settings in the host computer may mean that the **Mirror Drive** is not recognized.

Important Points about Static

In order to avoid damage from static, observe the following warnings when handling this unit.

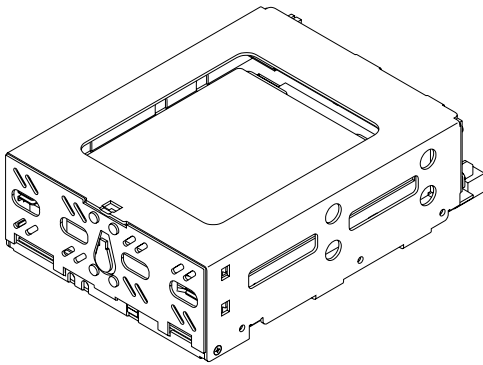
- When handling this unit, touch the metal parts of the host computer, and avoid internal static.
- When handling this unit, handle the metal parts. Do not touch any exposed circuitry.
- When swapping controller units or drive units, or when that moving the unit after unpacking, place the antistatic bag that the unit was shipped in on a flat, even surface, and place the unit on top of that.

Important Points about Installing the Mirror Drive

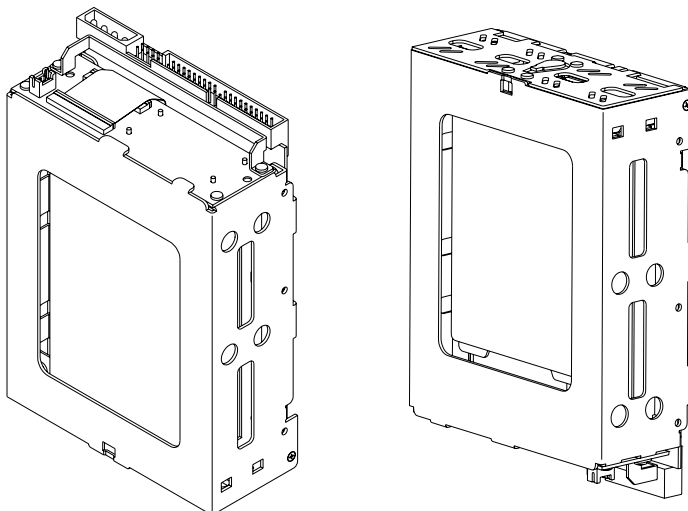
When installing the **Mirror Drive** in the host computer, ensure the drive unit is installed horizontally, as in <A> below.

Do not install the unit vertically, i.e. with the connector facing either up or down, as in . Furthermore, when installing the unit on its side as in <C>, first consult with your distributor.

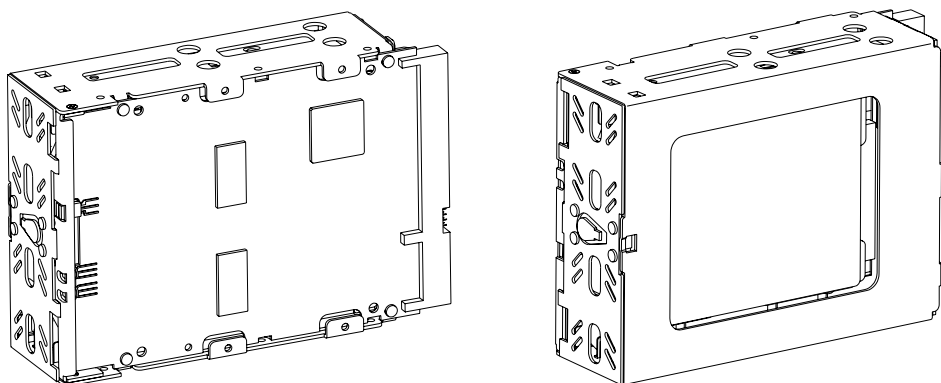
<A>Drive unit in horizontal position



Drive unit in vertical position



<C>Drive unit on its side



[Table of Contents]

Introduction	i
In Order to Safely use this product:	ii
warning	iii
Caution	iv
Important	v
Important Points about Static	vi
Important Points about Installing the Mirror Drive	vii
Table of Contents	viii
1. Introducing the 3.5-inch Mirror Drive	1
1.1 Features	1
1.2 About Mirroring	2
1.3 Cache Buffer Functions	2
2. External Dimensions	3
2.1 Part Names	3
2.2 Front Elevation (With Bezel Open)	4
2.3 Front Elevation (With Bezel Closed)	4
2.4 External Dimensions Diagram	5
2.4.1 Mirror Drive	5
2.4.2 5-inch Bay Mirror Drive Installation Attachment	6
3. Connecting to the Host Computer	7
3.1 Switch Settings	7
3.2 Installing into the Host Computer	7
3.3 Cable Connection	8
3.4 Turning on Main Power	8
4. Settings	9
4.1 Configuration Switch	9
4.1.1 Operating Mode	10
4.1.2 Ultra DMA66 Mode	10
4.1.3 Write Cache Mode	10
4.1.4 Buzzer Mode	10
4.2 Master / Slave Settings	11
5. Status Display	12
5.1 Indicator	12
5.1.1 Access Indicator	12
5.1.2 Drive Status Indicator	12

- 5.1.3 Buzzer 13
- 5.2 External Output Signal 14
 - 5.2.1 Status Output Signal 14
 - 5.2.2 External LED Output Signal 14
- 6. Handling Faults** 15
 - 6.1 Confirming Fault Status 15
 - 6.2 Replacement of Drive Units 16
 - 6.2.1 Replacement of 1 Drive Unit 16
 - 6.2.2 Replacement of Both Drive Units 21
 - 6.3 Controller Unit Replacement 24
 - 6.3.1 When both drive units are functioning normally 25
 - 6.3.2 When one drive unit has failed 27
 - 6.4 Other Malfunctions 31
 - 6.5 Data Rebuilding 31
- Appendix A Specifications** 32
 - A.1 Main Unit Specifications 32
 - A.2 External Output Signal Specifications 33
 - A.2.1 Status Output Signal 33
 - A.2.2 External LED Output Signal 35
- Appendix B Accessories** 37
- Appendix C Default Configuration** 38
- Appendix D Replacement Parts** 39
- Information** 40

偶数ページで終了するための白紙です

1. Introducing the 3.5-inch Mirror Drive

The ADTX **3.5-inch Mirror Drive** is equipped with two 2.5-inch disk drives, and uses mirroring to protect data and ensure uninterrupted operation.

Because the host computer recognizes the **Mirror Drive** unit as a regular AT hard disk drive, setup of the drive entails simply plugging in an IDE (ATA) cable.

1.1 Features


- Even in the event of one drive unit failing, the **Mirror Drive** will continue to operate, therefore maintaining data integrity. After the failed disk is replaced, data rebuilding begins automatically.
- The unit uses the industry standard IDE (ATA) interface, and operates as a single AT hard disk drive. Specific device drivers, host computer hardware, or operating systems are not required.
- Supports Ultra DMA66 mode. (maximum data transfer rate: 66MB/s)
- Large onboard cache memory for improved performance.
- Hardware mirroring, therefore there is almost no system overhead.

1.2 About Mirroring

Mirroring writes the same data in duplicate on two drive units. Even if one drive unit fails, the data can be read from the other drive unit.

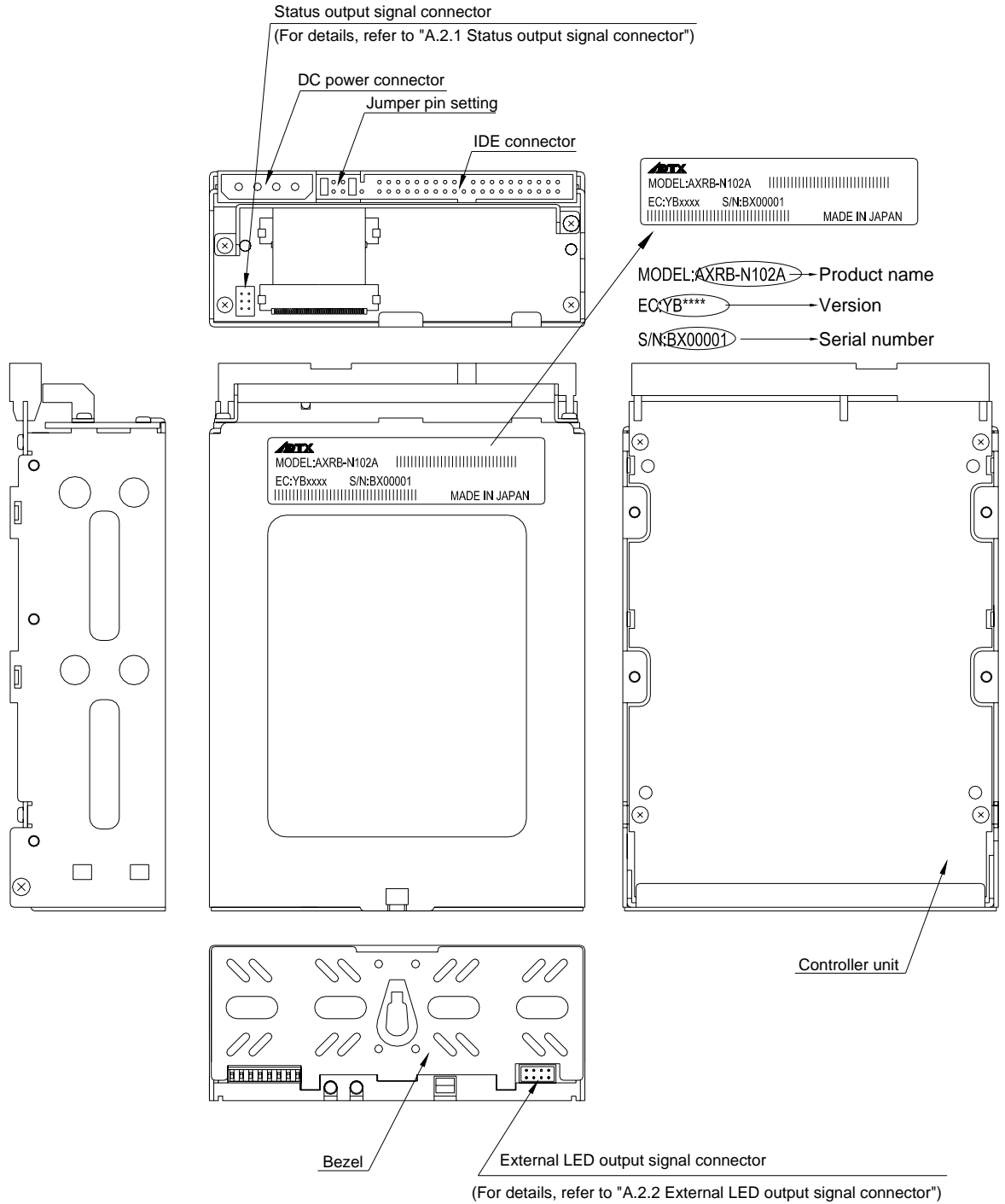
1.3 Cache Buffer Functions

The **Mirror Drive** is equipped with a large capacity cache memory. When write cache mode is on, as soon as data is written to the cache memory, the host computer is notified that command processing is completed. By writing multiple data together to the HDDs at only a single time, a performance increase is realized. Setting the write cache mode on or off is done using the settings switches. It is set as on at shipping.

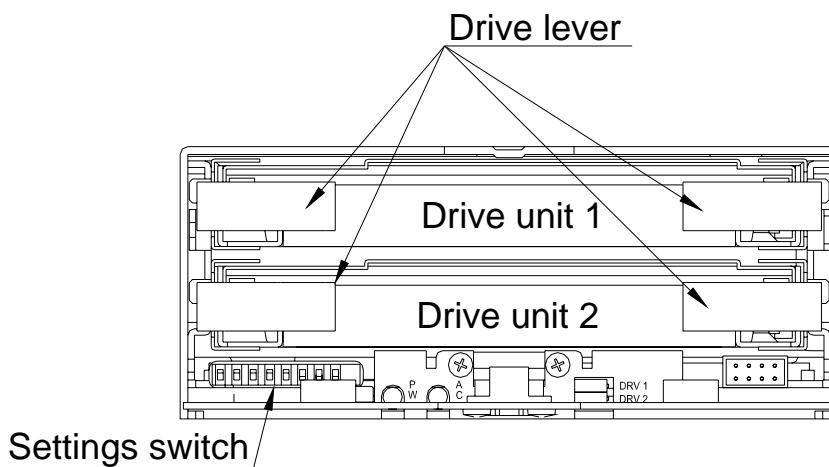
	Important	Except in emergencies, before turning off power to the unit, follow the operating system's correct shutdown procedures, or wait for at least 10 seconds after both the drive access indicator or the drive status indicator have stopped flashing. Turning off of power while the access indicator or drive status indicator lamps are on (or flashing) may result in the loss of any data remaining in the Mirror Drive cache memory.
---	------------------	---

2. External Dimensions

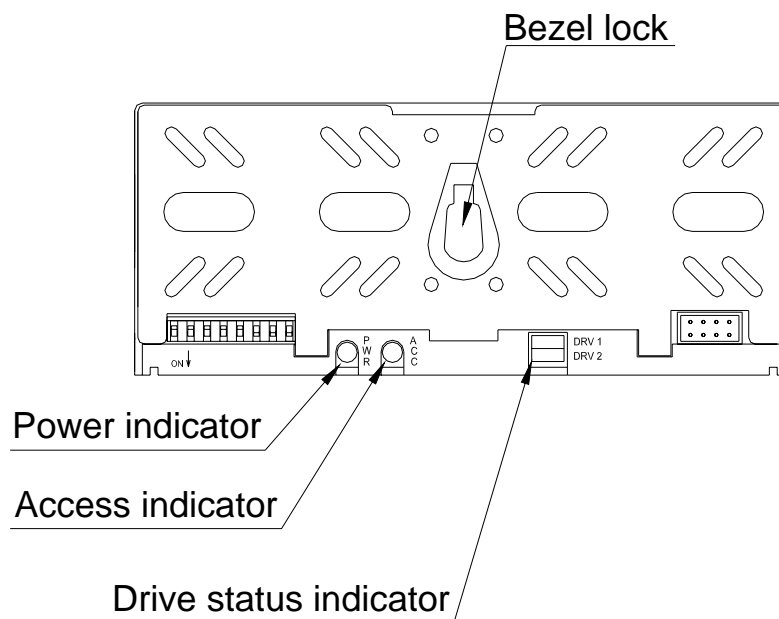
2.1 Part Names



2.2 Front Elevation (With Bezel Open)

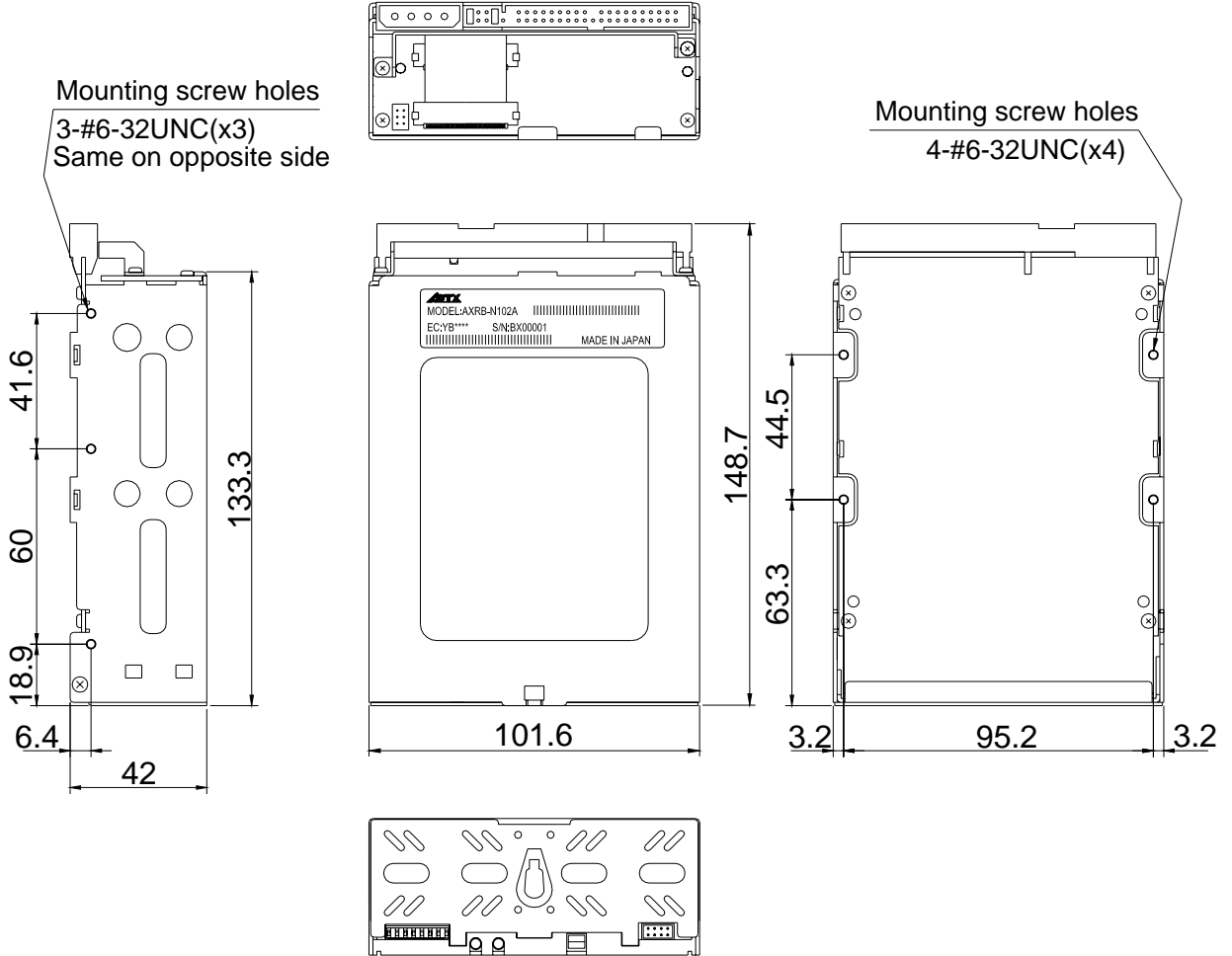


2.3 Front Elevation (With Bezel Closed)

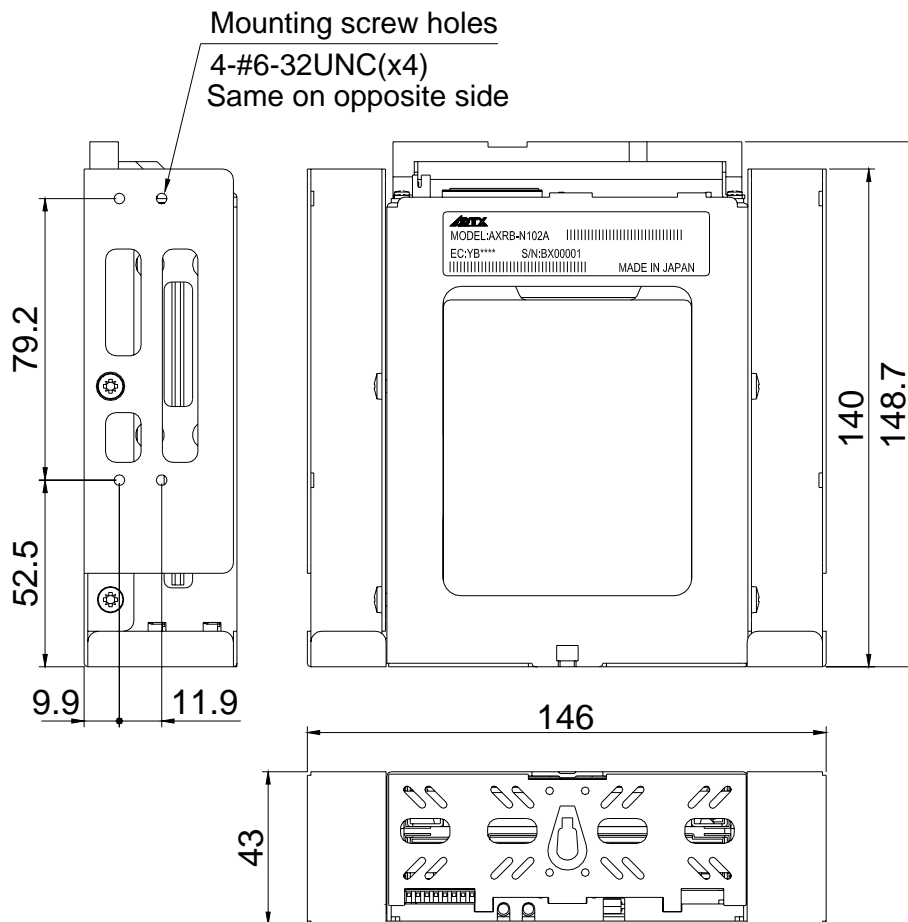


2.4 External Dimensions Diagram

2.4.1 Mirror Drive



2.4.2 5-inch Bay Mirror Drive Installation Attachment




3. Connecting to the Host Computer

3.1 Switch Settings

Refer to "4. Settings" for configuration of the settings switches and jumper pins.

These switches are used to set Ultra DMA66 mode, write cache mode, buzzer mode, and master / slave mode.

For factory default settings, refer to "Appendix C Factory Default Settings."

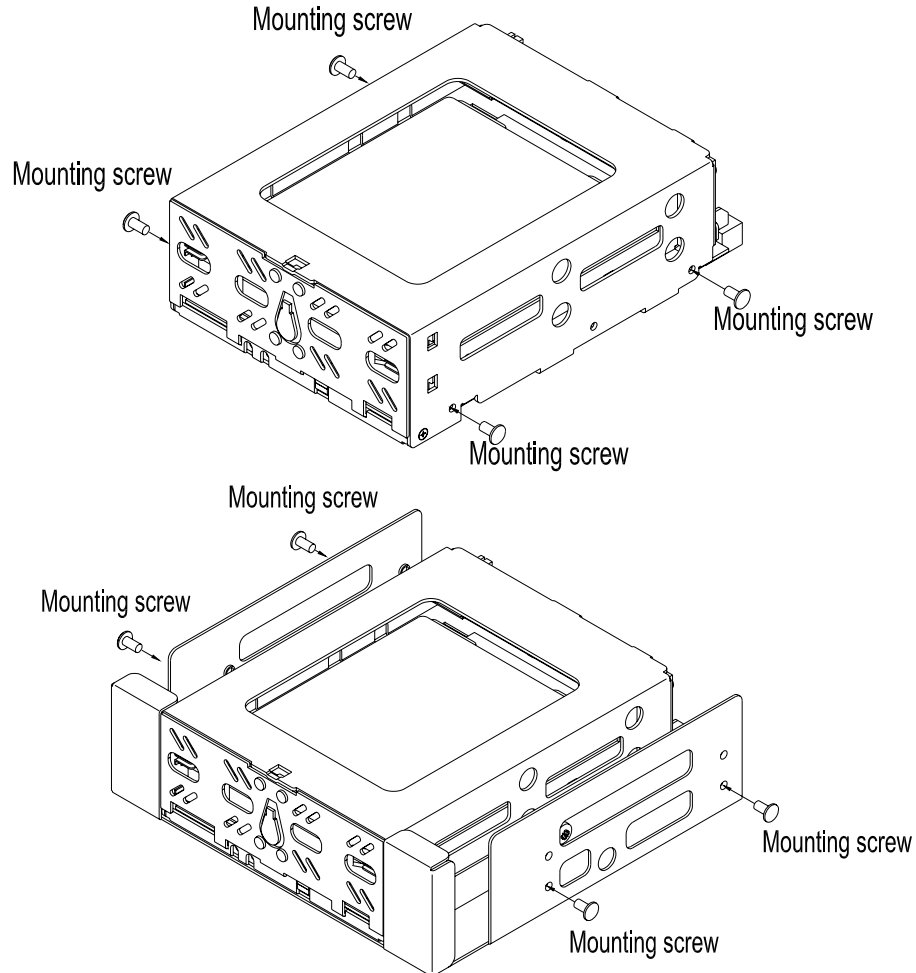
	<h3>Caution</h3>	<p>When setting switches and attaching cables, first ensure that the power supply of the host computer is turned off.</p>
---	------------------	---


3.2 Installing into the Host Computer

When installing into the host computer, use the attached mounting screws.

For mounting screw locations, refer to "2.4 External Dimensions Diagram."

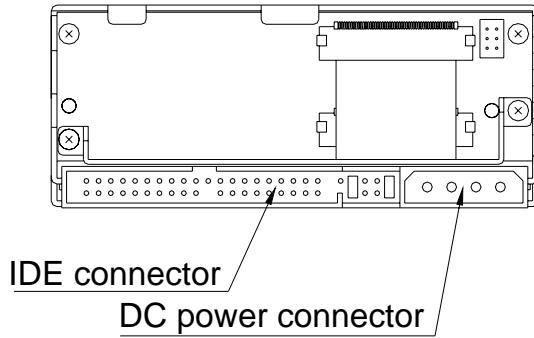
The diagram below is one example of mounting screw usage.



	<h3>Caution</h3>	<p>When installing into the host computer, provide sufficient cooling in order to ensure that the surface temperature of the drive unit remains below 60°C.</p>
---	------------------	---

3.3 Cable Connection

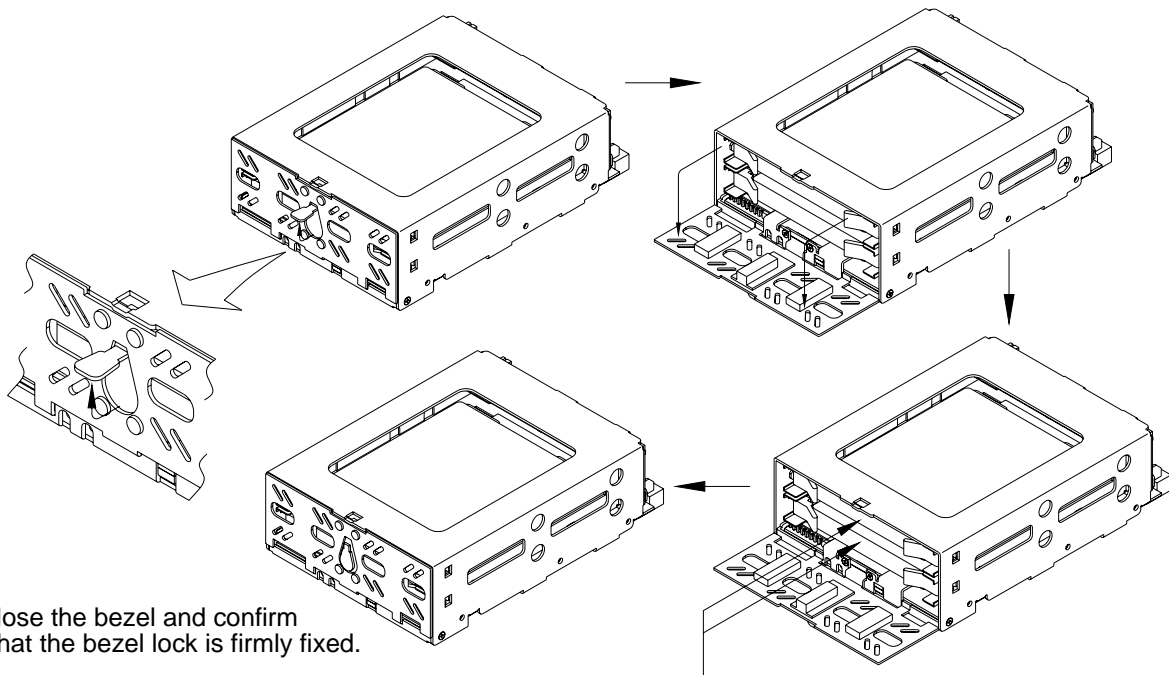
- <1> Connect a 4-pin internal power cable that supplies DC +5V.
- <2> Use a 40-pin IDE (ATA) cable to connect to the host computer.



	Caution	When using Ultra DMA66 mode, use the 80-conductor Ultra ATA cable.
--	----------------	--

3.4 Turning on Main Power

Before turning on the host computer, open the bezel lock, gently press the front face of each drive unit to confirm that they are firmly inserted, close the bezel, and confirm that the bezel lock is firmly fixed.



Close the bezel and confirm that the bezel lock is firmly fixed.

Gently press each drive unit to confirm that they are firmly attached.

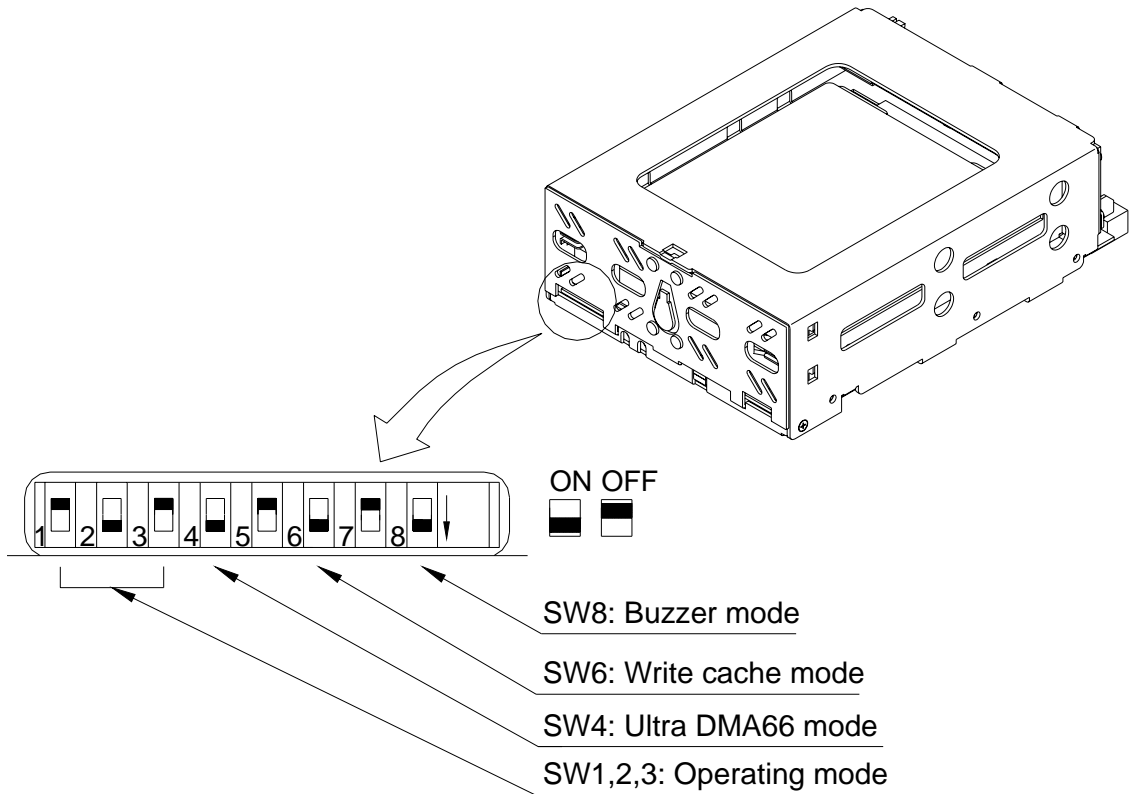
Next, turn on the host computer main power supply, and confirm that the unit is correctly recognized by the host computer.


	Caution	Before turning on the host computer, confirm that the master / slave settings are correct, and that both the IDE (ATA) and power cables are correctly connected.
--	----------------	--

4. Settings

4.1 Configuration Switch


The settings switches are used to set the data transfer rate with the host computer (Ultra DMA66 mode), set the write cache on and off, and set the buzzer mode on and off. The settings switches are on the bottom left of the front panel (8-bit dip switch).



	<h3>Caution</h3>	Before making changes to the settings switches, turn off the power supply of the host computer. (The above the diagram is set to the factory shipping defaults.)
		Do not change the operation switches (1, 2, 3) or settings switches 5 and 7.

4.1.1 Operating Mode (Do not change)


The operating mode settings switches (1, 2, 3) are set to mirror mode. Do not change this setting.

	important	Ensure you do not change the operation mode switches, as doing so will result in the loss of recorded data.
---	------------------	---

4.1.2 Ultra DMA66 Mode


Sets the maximum Ultra DMA66 data transfer speed between the host computer and **Mirror Drive**, and the controller unit and drive unit.

If the switch is set to “on,” this enables a maximum 66MByte/sec (Ultra DMA66), and if the switch is set to “off,” data transfer is limited to a maximum of 33MByte/sec (Ultra DMA33).

	important	When using Ultra DMA66 mode, use the 80-conductor Ultra ATA cable.
---	------------------	--

4.1.3 Write Cache Mode

Sets write cache mode. When this is set to “on,” as soon as data is written to the cache memory, the host computer is notified that command processing is completed, and then the data is written to the drive unit. When this is set to “off,” when actual writing of data to the drive unit is completed, the host computer is notified that command processing has finished.

	important	When write cache mode is on, data writing performance is increased, however if the power is cut prior to completion of writing data to the drive unit, data may be lost. Ensure that the operating system's correct shutdown procedure is followed. When using Windows NT, we recommend that you set write cache mode to off.
---	------------------	---

4.1.4 Buzzer Mode

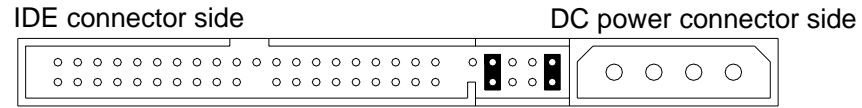
When buzzer mode is set to “on,” a buzzer sounds when a fault is detected. When it is set to “off,” the buzzer does not sound. In the event of damage to the drive unit, the buzzer will continue to sound until the damaged unit is replaced.

The buzzing may be stopped using the buzzer mode switch, but it can only be disabled when failed drive is replaced.

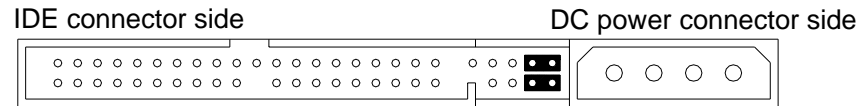
4.2 Master / Slave Settings

Set to the jumper pins to one of the following:
(Refer to "2.1 Part Names".)

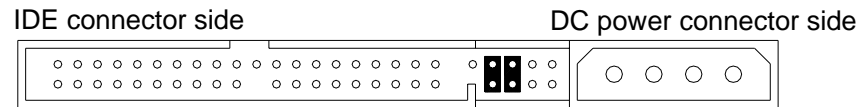
Master



Slave

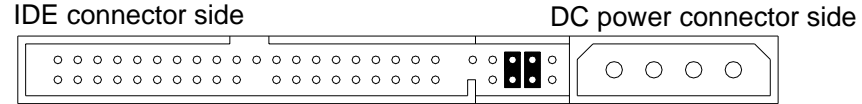


Master (with slave)



If the slave drive is not correctly recognized when set as master, use this setting.

Cable select



5. Status Display

5.1 Indicator

The status of the controller unit and drive units is displayed by the indicator on the front cover.

5.1.1 Access Indicator


Power	Green	The power is on.
Access	Green	<1> When the power is switched on. (1) <2>Processing a command from the host computer. Either of the above.
	Orange	Indicates a controller unit fault.
	Flashing Orange	<1>Both of the drive units have failed, or a drive unit is not correctly inserted. (Both drive status indicators are off.) <2>After one drive unit has failed, the correctly operating drive unit has been erroneously replaced. (Both drive status indicators show green simultaneously.) <3>Both drive units have been replaced. (Both drive status indicators show green simultaneously.) Any of the above.

5.1.2 Drive Status Indicator

Drive 1	Green	Displays access to drive unit 1.
	Orange	<1> When the power is switched on. (1) <2> Rebuilding data on drive unit 1. (At the same time, drive unit 2 will show green.) (2) Either of the above.
	Red	Indicates drive unit 1 failure.
Drive 2	Green	Displays access to drive unit 2.
	Orange	<1> When the power is switched on. (1) <2> Rebuilding data on drive unit 2. (At the same time, drive unit 1 will show green.) (2) Either of the above.
	Red	Indicates drive unit 2 failure.

Note:

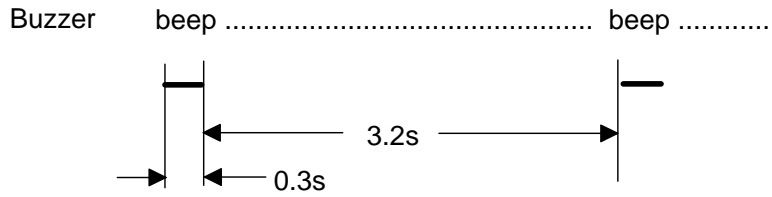
- (1) When turning the power on, the access indicator shows green, and both drive status indicators show orange. When **Mirror Drive** startup process is complete, these will be turned off.
- (2) When data rebuilding is complete, the drive status indicator will be turned off.

	<h2>important</h2>	<p>In the event of the drive failure, indicated by a red drive status LED, immediately replace the corresponding failed drive. Should you continue to use the unit with a failed drive. Data lose is inevitable once the remaining good drive fails.</p>
---	--------------------	--

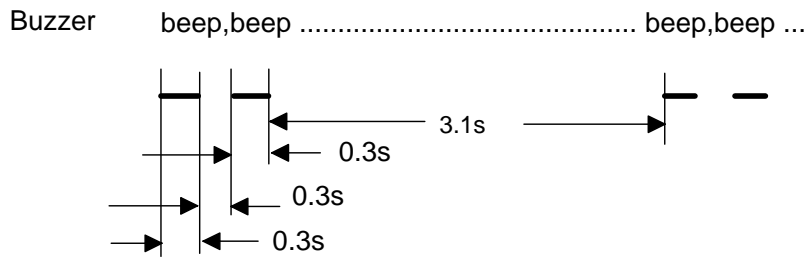
5.1.3 Buzzer

If buzzer mode is on, the buzzer will sound at the following intervals when unit failure is detected.

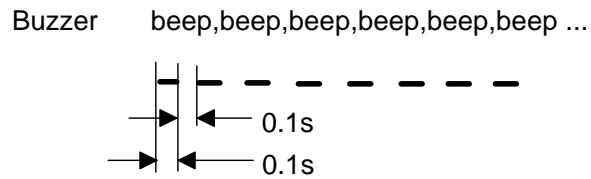
When drive unit 1 has failed



When drive unit 2 has failed

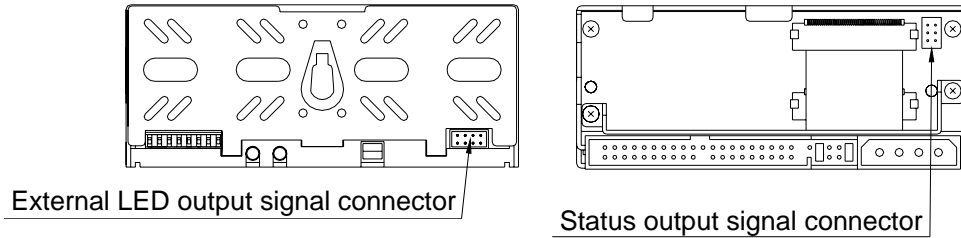


When both drive units have failed



5.2 External Output Signal

This signal may be routed externally for status notification. The unit has two signal types; a status output signal and an external LED output signal. The output signal connectors are on the front and back covers respectively.



5.2.1 Status Output Signal

Status is output using a 3-bit signal. For details regarding the layout and electrical specifications of the status output signal connector pins, refer to "Appendix A.2.1 Status Output Signal."

5.2.2 External LED Output Signal

In the same way as the **Mirror Drive** unit's drive status indicator, the output signal can be routed externally. (Each drive unit has both red and green LEDs.)

These signals can be used to directly light external LEDs.

For details regarding the layout and electrical specifications of the status output signal connector pins, refer to "Appendix A.2.2 External LED Output Signal."

6. Handling Faults

6.1 Confirming Fault Status

Should the **Mirror Drive** fail, then the access indicator will light or flash orange, and the drive status indicator will light red. Additionally, if buzzer mode is on, the buzzer will sound. Use these indicators to diagnose the failure.


Power indicator	Access indicator	Drive status indicator		Mirror Drive status and measures.
		Drive unit 1	Drive unit 2	
Green	---	---	---	Normal operation.
Green	---	Green	Orange	Rebuilding data on drive 2 from drive 1. (Normal operation)
Green	---	Orange	Green	Rebuilding data on drive 1 from drive 2. (Normal operation)
Green	---	Red	---	Confirm the connection status of drive unit 1, and while the power is on, pullout and reinsert drive unit 1. If this does not fix the problem, replace drive unit 1.
Green	---	---	Red	Confirm the connection status of drive unit 2, and while the power is on, pullout and reinsert drive unit 2. If this does not fix the problem, replace drive unit 2.
Green	Orange	---	---	The controller unit has failed. Replace the controller unit.
Off	Off	Off	Off	Confirm the status of the power supply. If this does not fix the problem, replace the controller unit.
Green	Orange flashing	Off	Off	Confirm the connection status of both drive units. If this does not fix the problem, replace the controller unit.
Green	Orange flashing	Green	Green	There is an error with the replacement drive unit. Temporarily return to the original setup and repeat the process.
Other lit or flashing indicator.				Please contact your distributor.


--- : Normally off, or lit or flashing when accessed.

In the event the problem is not resolved after having replaced the drive unit, replace the controller unit.

6.2 Replacement of Drive Units

A failed drive can be replaced without powering down the host system.
 When a drive unit is replaced, automatic rebuilding of data commences.
 The host can continue to access the data throughout the rebuilding process.
 Confirm that the drive status indicator is lit red before carrying out replacement of the drive unit.

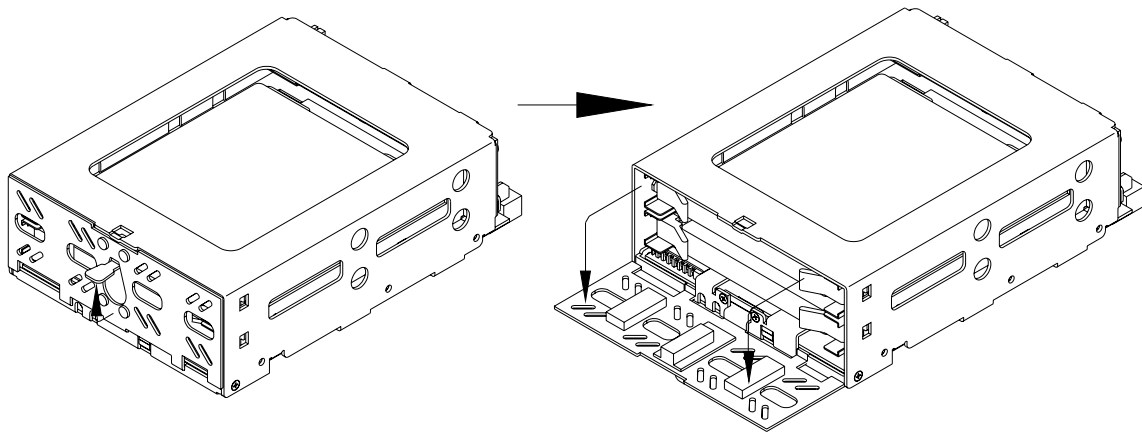
	<h3>Important</h3>	Carry out replacement after preparing a drive unit supplied by ADTX as specified in "Appendix D Replacement Parts." Do not use any other HDD, even if it has the same capacity, manufacturer, or model numbers. Doing so made cause malfunction or damage. Furthermore, doing so is not covered by the warranty.
		If one drive unit fails, carry out replacement as quickly as possible. If the remaining normally operating drive unit would fail, data rebuilding, and thus recovery may be impossible.

	<h3>Caution</h3>	When replacing drive units, ensure that you touch the chassis or other earthed parts, to discharge static electricity
		Do not subject to the drive unit or a controller unit to vibration or shock. Doing so may lead to malfunction or disk failure.

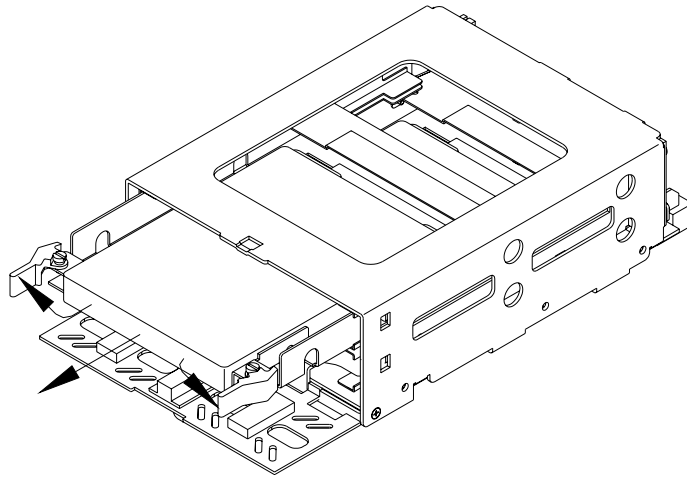
6.2.1 Replacement of 1 Drive Unit

Drive Unit Replacement Procedure. (host computer running)

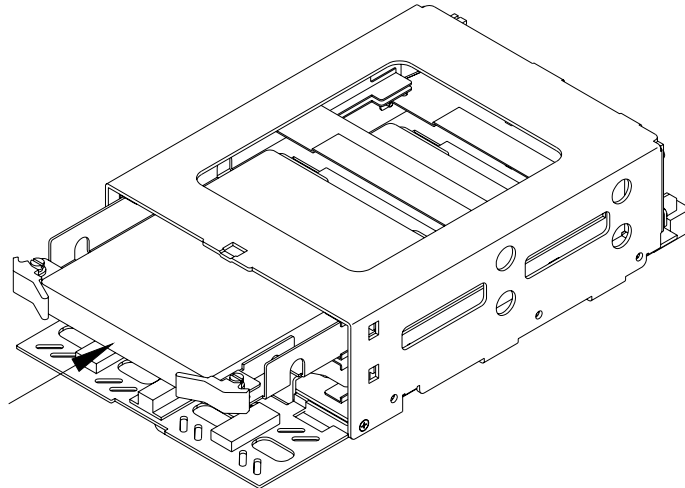
1. Prepare the new drive unit that is to be used as replacement. (Refer to "Appendix D Replacement Parts")
2. Use the drive status indicator or buzzer to verify the failed drive unit.
3. Release the bezel lock, and open the bezel.



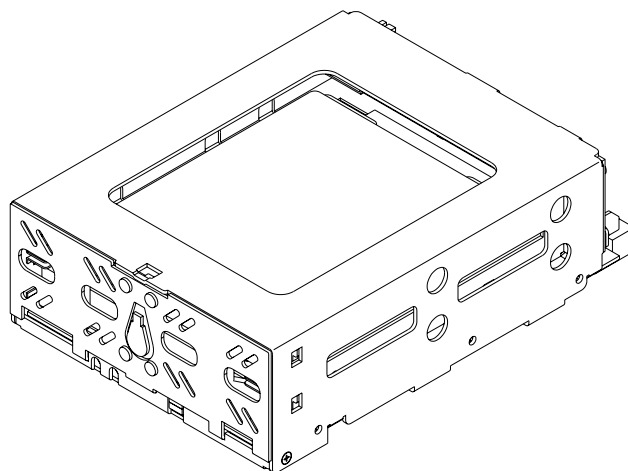
4. Pull the failed drive unit's drive levers using both hands, and then pull out the drive unit.




5. With the replacement unit's drive levers closed, push the replacement drive firmly right into the unit with both hands.




6. Close the bezel, and fasten the bezel lock. Confirm that the bezel lock is firmly fastened.



- 7. Several seconds after replacing the drive unit, the drive status indicator on the replacement drive will light orange, and data rebuilding will commence.

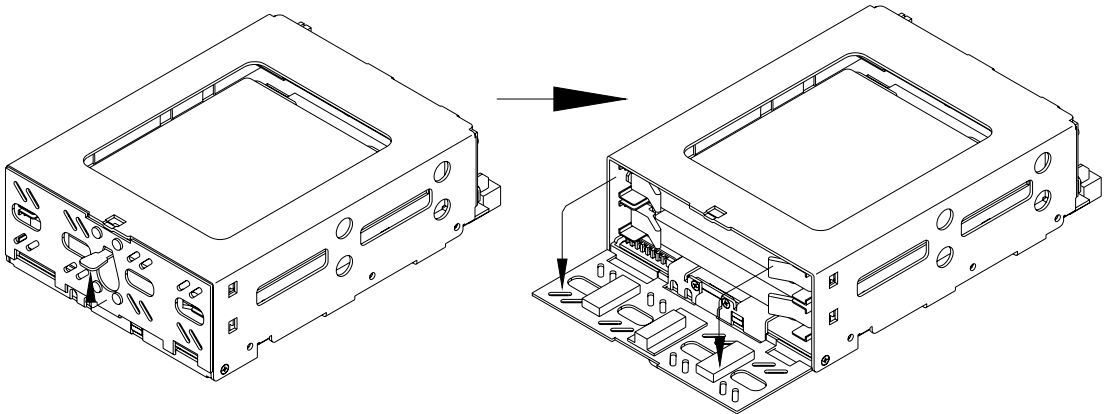
	important	Do not remove the drive unit while data rebuilding is underway.
---	------------------	---

- 8. During data rebuilding, the drive status indicator on the replacement drive will light orange, and the drive status indicator on the normally operating drive will light green.
- 9. When data rebuilding is complete, the drive status indicator will go out.
- 10. In the event of the drive status indicator on the replacement drive stays orange, or if it lights red again, repeat this procedure again from step 2.

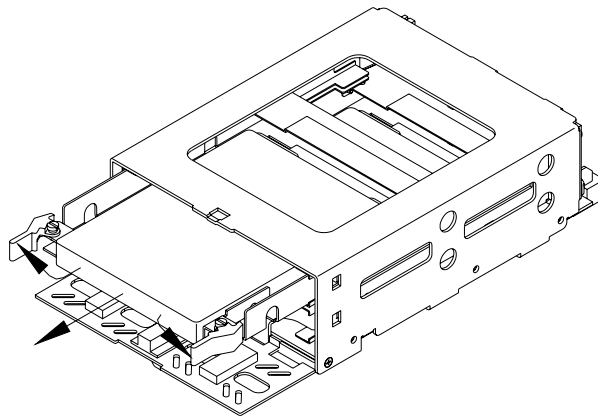
	important	If the drive unit that has not failed is erroneously replaced, then the drive status indicator on both drives will light green, the access indicator will flash orange, and the host computer will be unable to access the unit. If this occurs, turn off the power supply, return the erroneously replaced drive unit, replace the failed drive units, and then turn on the power supply, whereupon data rebuilding will commence. Be aware that you will need to restart the host computer.
---	------------------	---

Drive unit replacement. (when shutting off host computer's power supply)

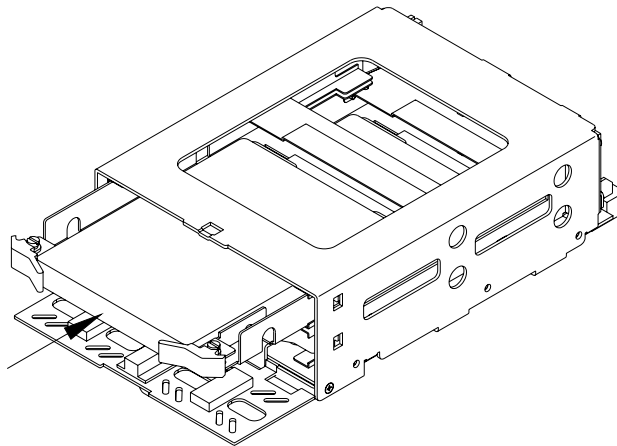
1. Prepare the new drive unit that is to be used as replacement.
(Refer to "Appendix D Replacement Parts")
2. Use the drive status indicator or buzzer to verify the failed drive unit.
3. Turn off the power supply of the host computer.
4. Release the bezel lock, and open the bezel.



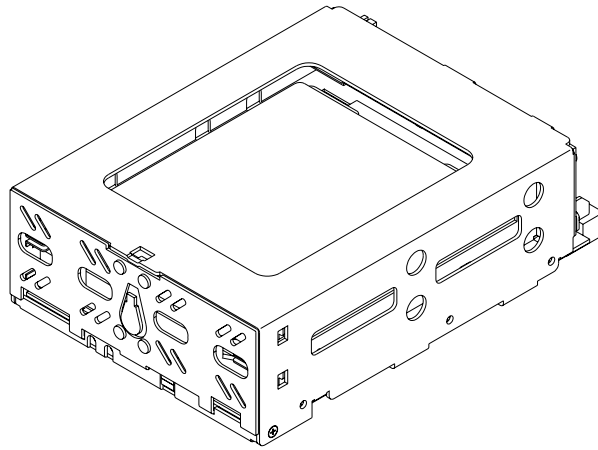
5. Pull the failed drive unit's drive levers using both hands, and then pull out the drive unit.



6. With the replacement unit's drive levers closed, push the replacement drive firmly right into the unit with both hands.



7. Close the bezel, and fasten the bezel lock. Confirm that the bezel lock is firmly fastened.



8. Turn on the power supply of the host computer.

9. Several seconds after replacing the drive unit, the drive status indicator on the replacement drive will light orange, and data rebuilding will commence.

	important	Do not remove the drive unit while data rebuilding is underway.
--	------------------	---


10. During data rebuilding, the drive status indicator on the replacement drive will light orange, and the drive status indicator on the normally operating drive will light green.

11. When data rebuilding is complete, the drive status indicator will go out.

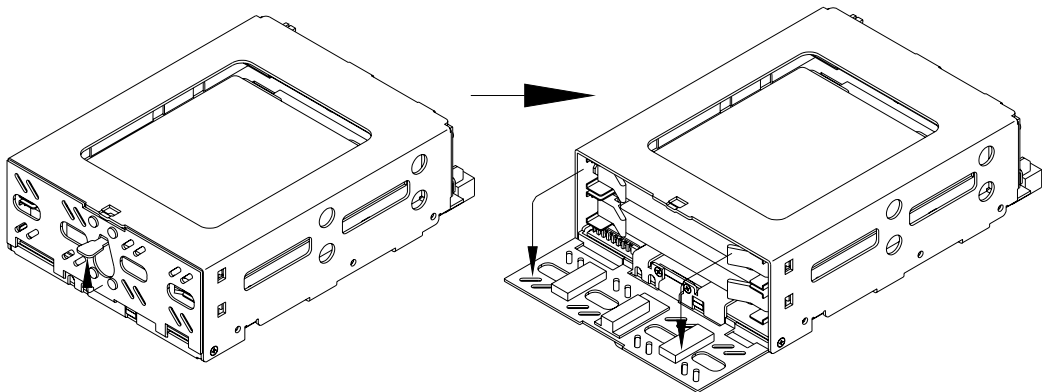
12. In the event of the drive status indicator on the replacement drive stays orange, or if it lights red again, repeat this procedure again from step 2.

	important	If the drive unit that has not failed is erroneously replaced, then the drive status indicator on both drives will light green, the access indicator will flash orange, and the host computer will be unable to access the unit. If this occurs, turn off the power supply, return the erroneously replaced drive unit, replace the failed drive unit, and then turn on the power supply, whereupon data rebuilding will commence. Be aware that you will need to restart the host computer.
--	------------------	--

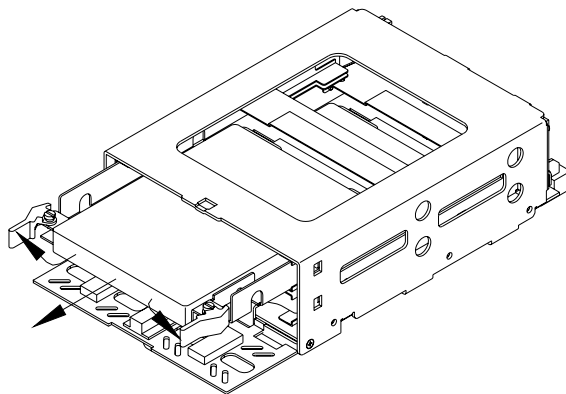
6.2.2 Replacement of Both Drive Units

	<p>important</p>	<p>Because this is an emergency recovery procedure, data corruption may occur. To avoid further data loss, back up to a suitable medium, such as tape or MO drive.</p>
---	-------------------------	--

1. Prepare the new drive units that are to be used as replacements.
(Refer to "Appendix D Replacement Parts")
2. Turn off the power supply of the host computer.
3. Release the bezel lock, and open the bezel.



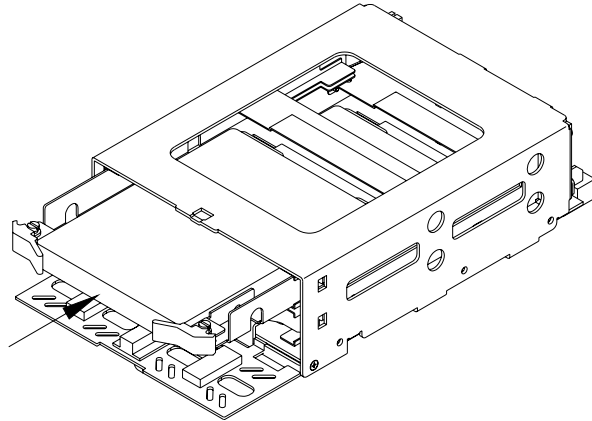
4. Pull the drive levers of the drive unit that is thought to have failed first using both hands, and pull out the drive unit.



(E.g.) When drive unit 1 failed first.

5. Turn on the power supply of the host computer.
6. Confirm that the **Mirror Drive** is being correctly recognized by the host computer.

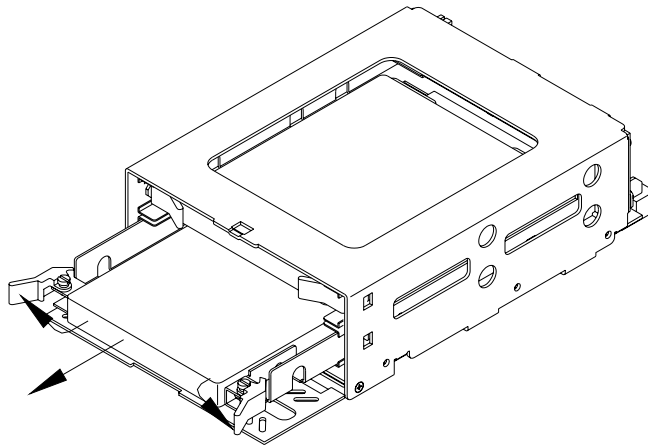
7. After confirming that the host computer recognizes the Mirror Drive, with the replacement unit's drive levers closed, push the replacement drive firmly right into the unit with both hands.



8. Several seconds after replacing the drive unit, the drive status indicator on the replacement drive will light orange, and data rebuilding will commence.

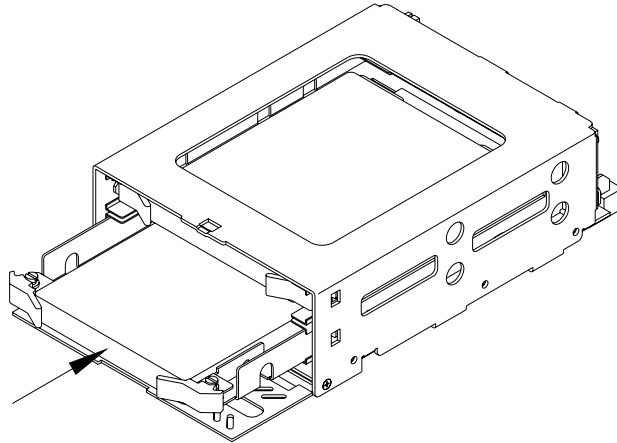
	important	Do not remove the drive unit while data rebuilding is underway.
--	------------------	---

9. During data rebuilding, the drive status indicator on the replacement drive will light orange, and the drive status indicator on the normally operating drive will light green.
10. When data rebuilding is complete, the drive status indicator will go out.
After confirming that the drive status indicator has gone out, turn on the power supply of the host computer.
11. Pull the drive levers of the other drive unit using both hands, and pull out the drive unit.

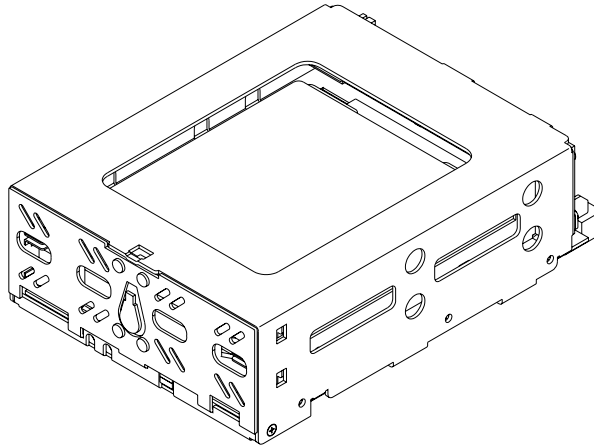


(E.g.) When drive unit 2 was the next to fail.

12. With the replacement unit's drive levers closed, push the replacement drive firmly right into the unit.



13. Close the bezel, and fasten the bezel lock. Confirm that the bezel lock is firmly fastened.



14. Turn on the power supply of the host computer.
15. Several seconds after replacing the drive unit, the drive status indicator on the replacement drive will light orange, and data rebuilding will commence.

!	important	Do not remove the drive unit while data rebuilding is underway.
----------	------------------	---

16. During data rebuilding, the drive status indicator on the replacement drive will light orange, and the drive status indicator on the normally operating drive will light green.
17. When data rebuilding is complete, the drive status indicator will go out.
18. In the event of the drive status indicator on the replacement drive stays orange, or if it lights red again, repeat this procedure again from step 2.

6.3 Controller Unit Replacement

If the access indicator stays lit orange, or in spite of having replaced the drive unit, the drive status indicator stays lit red, this means that the problem has not been resolved, and may indicate a failed controller unit. In this event, replace the controller unit. Furthermore, while the **Mirror Drive** enables hot-swapping of drives, this can not be done when replacing the controller unit. Turn off the power supply of the host computer before replacement.

When replacing the controller unit, data may be saved by following the correct replacement procedure.

Be aware that replacement procedure differs depending on drive unit status.


<1>When both drive units are functioning normally:

Switch over both drive units to a replacement controller unit.

Ensure that each drive unit is inserted into the appropriate drive bays.

<2>When one drive unit has failed:

When it is known in advance that one drive unit has failed, ensure that only the normally operating drive unit is inserted into its drive bay.

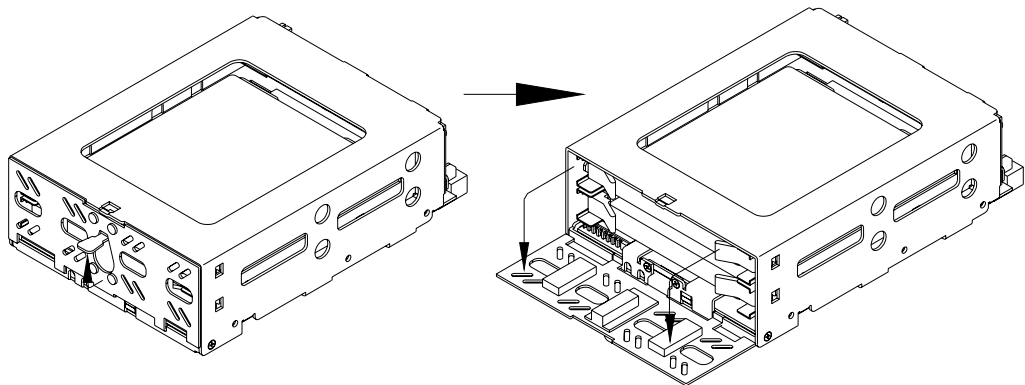
	Caution	When replacing controller units, ensure the power supply of the host computer is turned off, and that the power cable is removed from the socket.
		When replacing drive units, ensure that you touch the chassis or other earthed parts, to discharge static electricity in the body.
		Do not subject to the drive unit or controller unit to vibration or shock. Doing so may lead to malfunction or disk failure.

Next are explanations of drive unit replacement procedures depending on drive status.

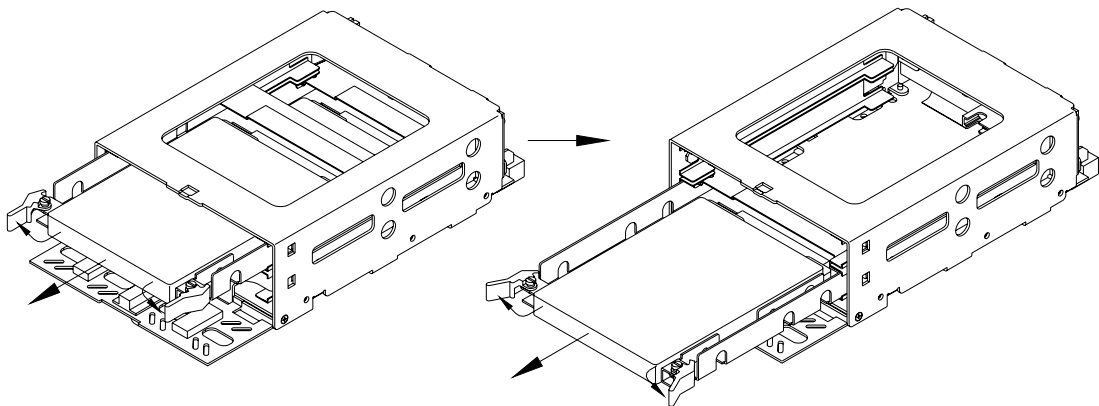
6.3.1 When both drive units are functioning normally

Controller Unit Replacement Procedure.

1. Prepare the new controller unit that is to be used as replacement.
(Refer to "Appendix D Replacement Parts")
2. Turn off the power supply of the host computer.
3. Detach the 40-pin IDE (ATA) and the 4-pin internal power cable, and remove the **Mirror Drive** from the host computer.
4. Release the bezel lock, and open the bezel.



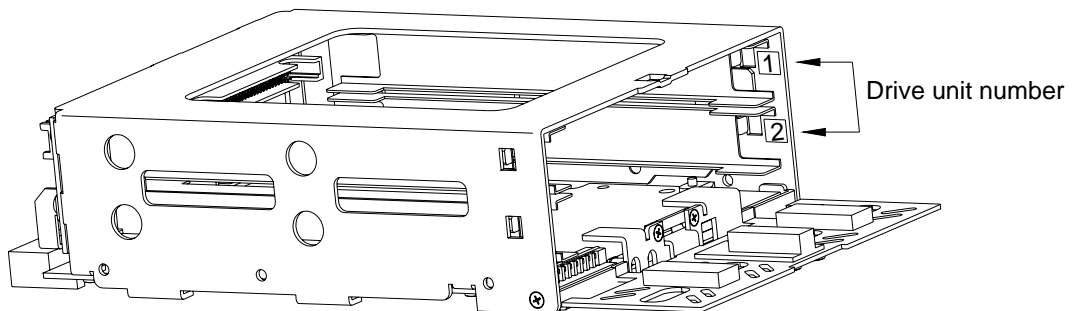
5. Pull the drive levers of the drive unit using both hands, and pull out the drive unit.



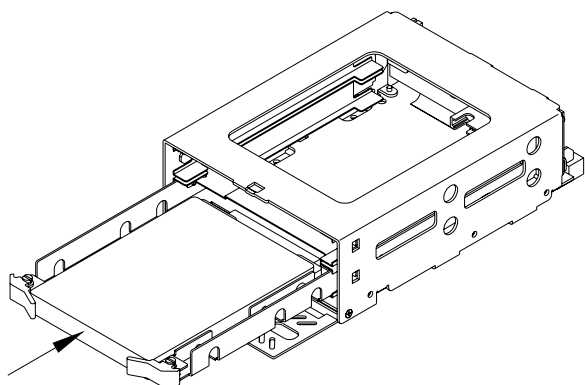
Pull out drive unit 1

Pull out drive unit 2

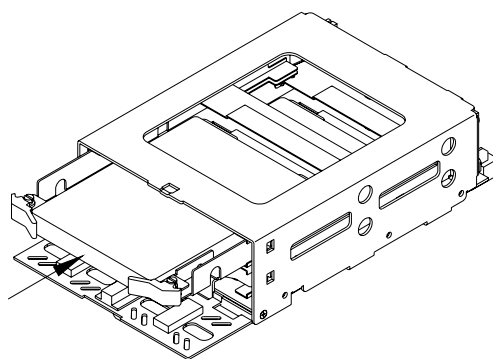
6. With the drive levers for the destination drive bay in the replacement controller unit closed, push the respective drive that was removed in step 5 firmly into the drive bay that has the same drive unit number.



Drive unit number display location.

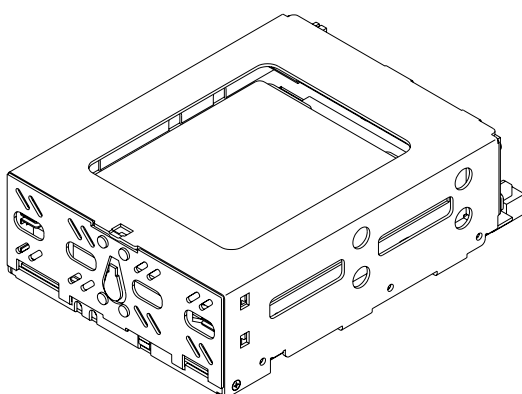


Insert drive unit 2



Insert drive unit 1

7. Close the bezel, and fasten the bezel lock. Confirm that the bezel lock is firmly fastened.

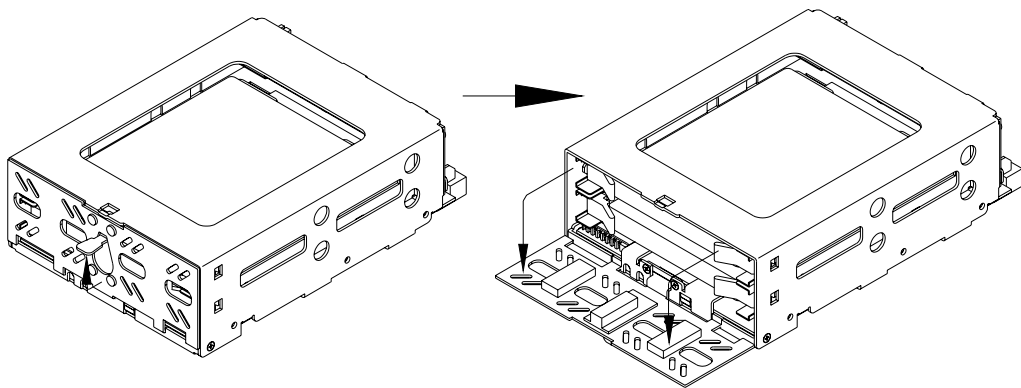


8. Install the **Mirror Drive** into the host computer, and connect the 40-pin IDE (ATA) and the 4-pin internal power cables.
9. Turn on the power supply of the host computer.

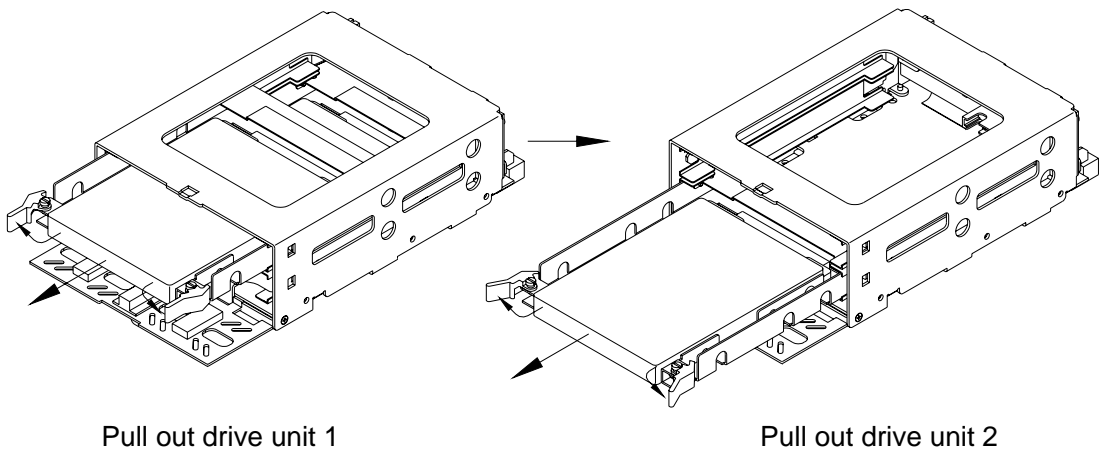
6.3.2 When one drive unit has failed.

Controller Unit Replacement Procedure.

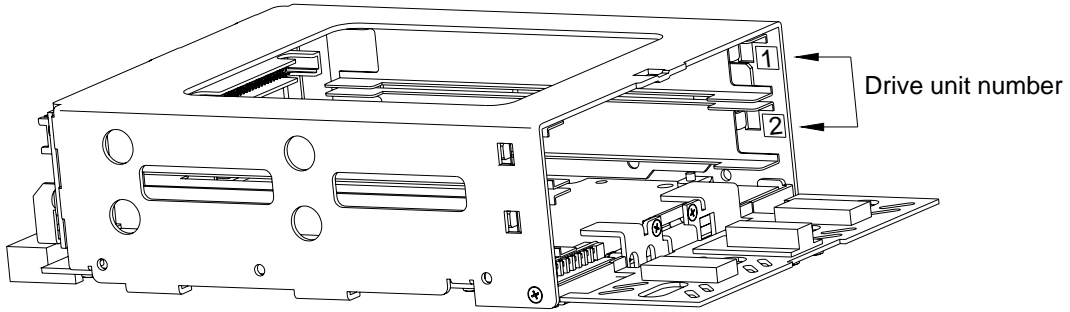
1. Prepare the new drive unit that is to be used as replacement.
(Refer to "Appendix D Replacement Parts")
2. Use the drive status indicator or buzzer to confirm the failed drive unit.
3. Turn off the power supply of the host computer.
4. Detach the 40-pin IDE (ATA) and the 4-pin internal power cable, and remove the Mirror Drive from the host computer.
5. Release the bezel lock, and open the bezel.



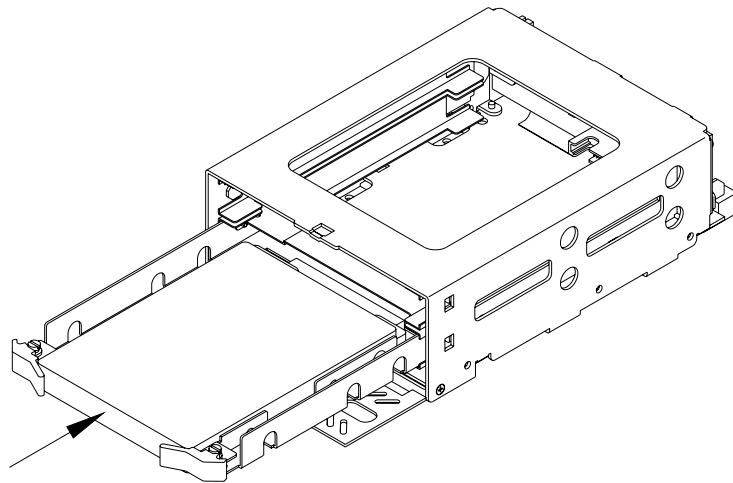
6. Pull the drive levers of the drive unit using both hands, and pull out the drive unit.



7. With the drive levers for the destination drive bay in the replacement controller unit closed, push the respective normally-operating drive that was removed in step 6 firmly into the drive bay that has the same drive unit number.

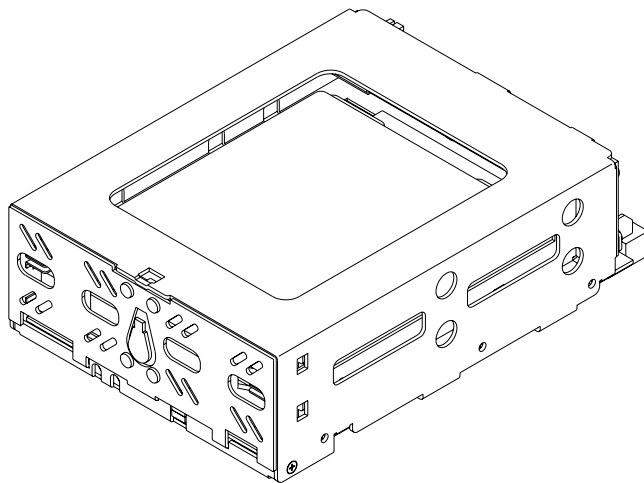


Drive unit number display location.

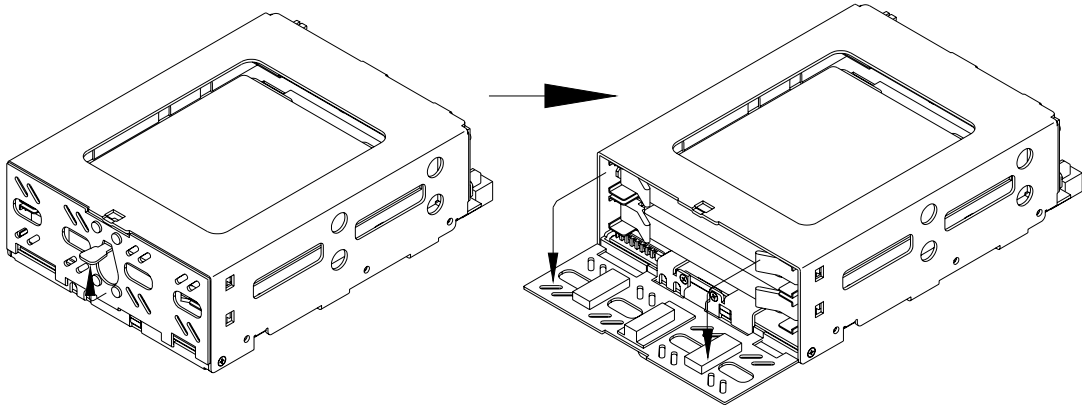


(E.g.) When drive unit 2 is operating normally.

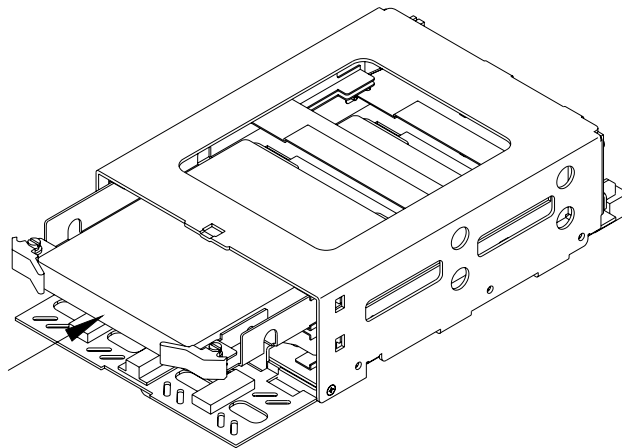
8. Close the bezel, and fasten the bezel lock. Confirm that the bezel lock is firmly fastened.



9. Install the Mirror Drive into the host computer, and connect the 40-pin IDE (ATA) and the 4-pin internal power cable.
10. Turn on the power supply of the host computer.
11. Confirm that the Mirror Drive is being correctly recognized by the host computer.
12. Release the bezel lock, and open the bezel.

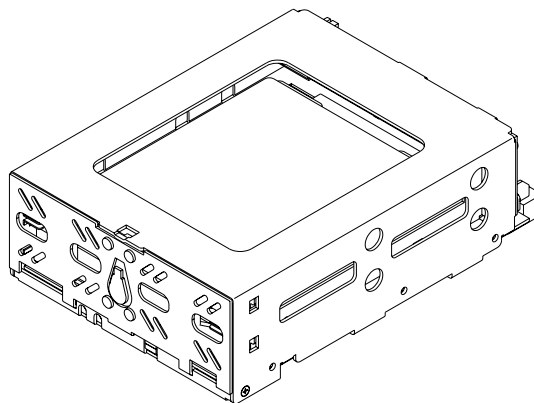


13. Using both hands, push the replacement drive unit firmly right into the empty drive bay, with the drive levers for the drive unit closed.




(E.g.) When replacing drive unit 1.

14. Close the bezel, and fasten the bezel lock. Confirm that the bezel lock is firmly fastened.



15. Several seconds after replacing the drive unit, the drive status indicator on the replacement drive will light orange, and data rebuilding will commence.

	important	Do not remove the drive unit while data rebuilding is underway.
---	------------------	---

16. During data rebuilding, the drive status indicator on the replacement drive will light orange, and the drive status indicator on the normally operating drive will light green.
17. When data rebuilding is complete, the drive status indicator will go out.
18. In the event of the drive status indicator on the replacement drive stays orange, or if it lights red again, remove both drives and repeat the procedure.


6.4 Other Malfunctions

In the event that the problem is not resolved after having replacing the drive unit or the controller unit, please inquire at the store where you purchased the unit, or contact your distributor.


6.5 Data Rebuilding

After a drive unit has failed and been correctly replaced, data rebuilding (copying of data from the normally functioning drive unit to the replacement unit) commences automatically.

It is possible to use the **Mirror Drive** while data rebuilding is underway. During data rebuilding, the normally functioning drive unit's drive status indicator is lit green, and the replaced drive unit's drive status indicator is lit orange.

	Caution	Do not turn off the power to the host computer while data rebuilding is underway. Doing so may lead to data corruption on the normally operating drive unit, thus making data rebuilding impossible.
---	----------------	--

If, during data rebuilding, there are sectors that cannot be read on the normally operating drive unit, data rebuilding will skip these sectors and continue. These skipped sectors will no longer be readable. However, if new data is written to those sectors, those sectors will become readable.

	Important	If the data recovery process skips errors during data rebuilding, then the data on those sectors will be lost. It is recommended you make periodic backups.
--	------------------	---

Appendix A Specifications

A. 1 Main Unit Specifications

		AXRB-N102A	AXRB-N202A
RAID levels		1	
Storage Capacity		10 GB	20 GB
LBA		19,636,736	39,065,984
Cylinders		19,480	38,755
Heads		16	
Sectors		63	
Host interface		IDE(ATA)	
Data transfer rate		Max. 66MB/s	
Number of HDDs		2	
External Dimensions (WxLxH)	Mirror Drive	101.6x148.7x42.0 mm	
	5-Inch Bay Mirror Drive Installation Attachment	146.0x148.7x43.0 mm	
Weight	Mirror Drive	Approx. 700g	
	5-Inch Bay Mirror Drive Installation Attachment	Approx. 900g	
Operational environment (1)	Temperature	In operation 5 to 45 (4) Not in operation -40 to 65	
	Humidity	In operation 8 to 90% Not in operation 5 to 95%	
Voltage (Vcc)		4.85 to 5.25 VDC	
Power supply ripple (2)		Max. 100mV p-p (0 to 20 MHz)	
Power startup time (3)		5 to 100 ms	
Power consumption	At startup	Max. 2.7A	
	At idle	Max. 0.9A	
	During Read/Write	Max. 1.5A	

Note:

(1): With no condensation.

(2): Including startup time.

(3): Time until Vcc reaches 4.85V.

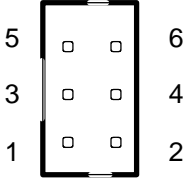
(4): Provide sufficient cooling in order to ensure that the front surface temperature of the drive unit remains at 60°C or below.

A.2 External Output Signal Specifications

A.2.1 Status Output Signal

This table shows the pin configurations, status definitions, internal circuitry, electrical specifications, and connector specifications for the status output signal.

Connector signal pins are configured as below.

Pin Number	Signal	Pin configuration
1	GND	
2	+5VDC	
3	Status bit 2	
4	Status bit 1	
5	Status bit 0	
6	GND	

The following are the status definitions for 3-bit output signals:

	Bit 2	Bit 1	Bit 0	Status
0	L	L	L	Normal operation
1	L	L	H	Drive unit 1 failure
2	L	H	L	Drive unit 2 failure
3	L	H	H	Reconstructing data
4	H	L	L	Controller unit stopped (1)
5	H	L	H	Unspecified
6	H	H	L	Mirror Drive startup processing
7	H	H	H	Initializing

H: TTL level output high.

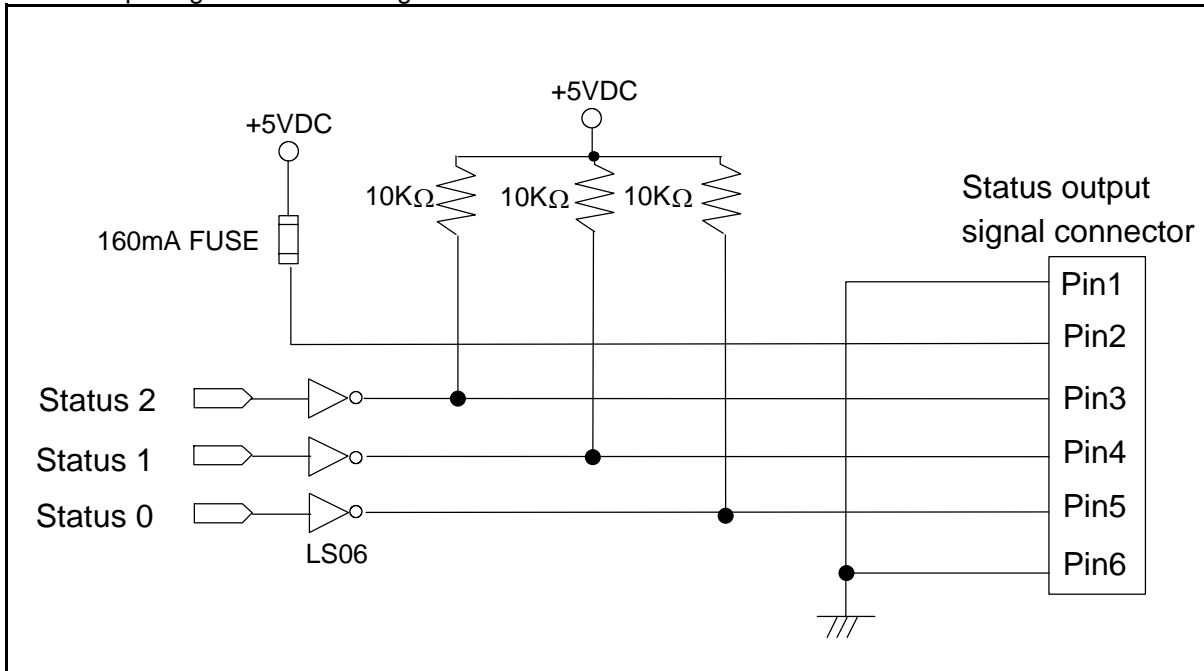
L: TTL level output low.

Note:

(1) Principal reasons for the controller unit ceasing operation are as below:

- When turning on the power, both drive units have failed.
- When turning on the power, neither drive unit is inserted properly.
- When one drive unit has failed, the normally operating drive unit has been erroneously replaced.

Status output signal internal wiring is shown below.



Status output signal uses LS06 (open corrector).
 Each output has a 10K pull-up resistor.


Connector Specifications

	Part name	Manufacturer
Mirror Drive header	DF11-6DP-2DSA	Hirose Electric Co., Ltd.
External connectors– connector side (recommended)	DF11-6DS-2C	Hirose Electric Co., Ltd.
External connectors – connector crimp contacts (recommended)	DF11-2428SCF/SC	Hirose Electric Co., Ltd.

A.2.2 External LED Output Signal

This table shows the pin configuration, status definitions, external connection circuit diagram, electrical specifications, and connector specifications for the external LED output signal connector.

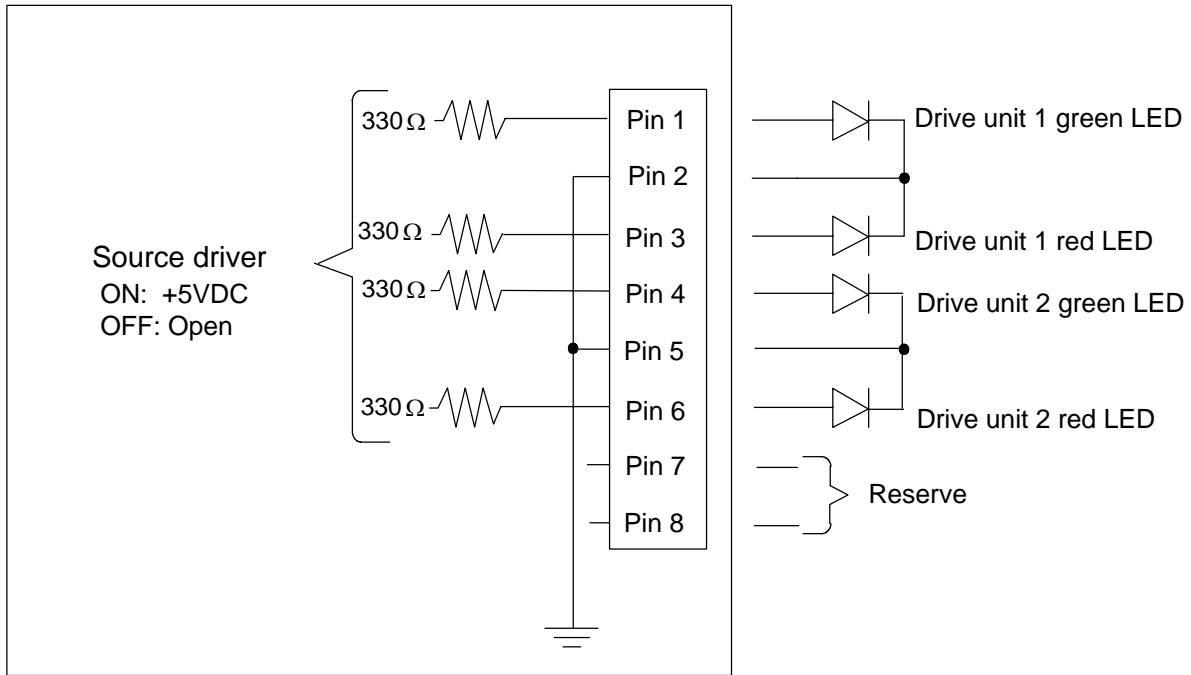
Connector signal pins are as below.

Pin Number	Signal	Connector pin configuration
1	Drive unit 1 green LED	
2	GND	
3	Drive unit 1 red LED	
4	Drive unit 2 green LED	
5	GND	
6	Drive unit 2 red LED	
7	Reserved	
8	Reserved	

Output signals and **Mirror Drive** status indicators correspond as below.

Mirror Drive – Drive status indicators	External LED output signal			
	Pin 1	Pin 3	Pin 4	Pin 6
Drive unit 1 green LED	On	Off	Off	Off
Drive unit 1 red LED	Off	On	Off	Off
Drive unit 1 orange LED	On	On	Off	Off
Drive unit 2 green LED	Off	Off	On	Off
Drive unit 2 red LED	Off	Off	Off	On
Drive unit 2 orange LED	Off	Off	On	On

The wiring diagram of external connection is as follows:



Output signal electrical specifications. (signal pins 1, 3, 4, 6)

Source current (Output: High)	Max. 15mA
-------------------------------	-----------

	Caution	Output signal voltage varies depending on internal control resistance.
--	----------------	--

Connector Specifications

	Part name	Manufacturer
Mirror Drive header	DF11-8DP-2DS22	Hirose Electric Co., Ltd.
External connectors – connector side (recommended)	DF11-8DS-2C	Hirose Electric Co., Ltd.
External connectors – connector crimp contacts (recommended)	DF11-2428SCF/SC	Hirose Electric Co., Ltd.

Appendix B Accessories

3.5-inch Mirror Drive AT Model AXRB-N Series is shipped with following accessories.

- 3.5-inch Mirror Drive AT Model AXRB-N Series user's manual. (This manual)
(Product number: A202967)
- Mounting screws. (x4)

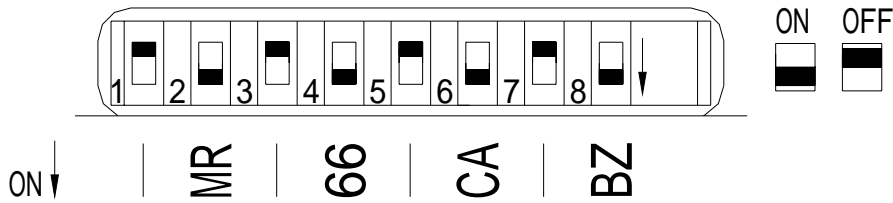
Appendix C Default Configuration

The **Mirror Drive's** default configuration is as follows:

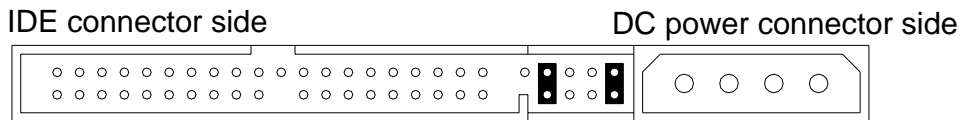
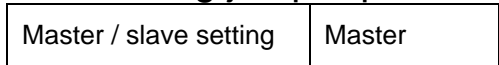
Settings switches

	Factory defaulted settings		
	Setting	Switch No.	Switch setting
Operating mode	Mirror mode	1	OFF
		2	ON
		3	OFF
Ultra DMA66 mode	On	4	ON
Write cache mode	On	6	ON
Buzzer mode	On	8	ON
Reserved	Off	5	OFF
	Off	7	OFF

Setting Switches



Setting jumper pin



Appendix D Replacement Parts

The following products are defined as field replaceable parts.

Part name	Part number	
10GB drive unit	A202570	replacement drive unit for AXRB-N102A.
20GB drive unit	A202580	replacement drive unit for AXRB-N202A.
Controller unit	A202584	replacement controller unit for AXRB-N series AT.

Information

For more information about this product, please contact your distributor.

Distributor's information

- Product Records

Product Name : _____

Model / Type : _____

Serial Number : _____

- *Manufacturer*



This product is manufactured by
Storage Vision Co., Ltd. in Japan.

<http://www.str-v.com>